



PVC DWV Fittings

TECHNICAL SPECIFICATIONS SUBMITTAL FORM

Job Name:	Submittal Date:	Wholesaler:
Job Location:	Engineer/Architect:	Contractor:

Product Use:

PVC DWV Fittings for use in HVAC, Refrigeration, and Plumbing Applications.

Design and Features:

- Offers outstanding rigidity with excellent resistance to chemicals and corrosion.
- Smooth interior walls to prevent scaling and to ensure free flow.
- Consistent quality and dimensional integrity helps to ensure a perfect fit with every single piece.
- Made with Schedule 40 PVC.
- Diameters from 1-1/4" - 6".

Design and Features:

- NSF Approved
- IAPM Approved
- Meets applicable ASTM Standards: D2265, D2665, D3311, D1784, D2949, F1498 & D1784

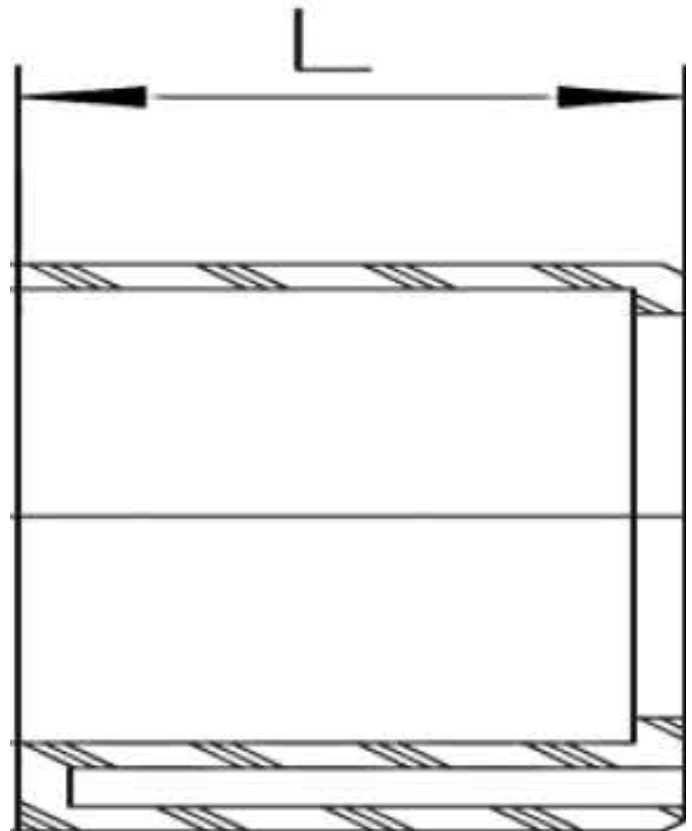




Reducing Bushing

Reducing Bushing Dimensions and Selection

	PART #	OD - DESCRIPTION	BOX QTY	L1 (IN)	WT (LB)	WT (G)
	NP-107-3265	3" x 2" Reducing Bushing	EA	1.535"	0.326	147.9



The information contained herein is not intended to replace the full product installation and safety information available or the experience of a trained product installer. You are required to thoroughly read all installation instructions and product safety information before beginning the installation of a product.

All installations must completely comply with all NDL Industries warnings and instructions, national state and local codes and all applicable ANSI standards.

NDL Industries product specifications in U.S. customary units and metric are approximate and are provided for reference only. For precise measurements, please contact Customer

Service. NDL Industries reserves the right to change or modify product design, construction, specifications, or materials without prior notice and without incurring any obligation to make such changes and modifications on NDL products previously or subsequently sold.

Couplings Dimensions and Selection

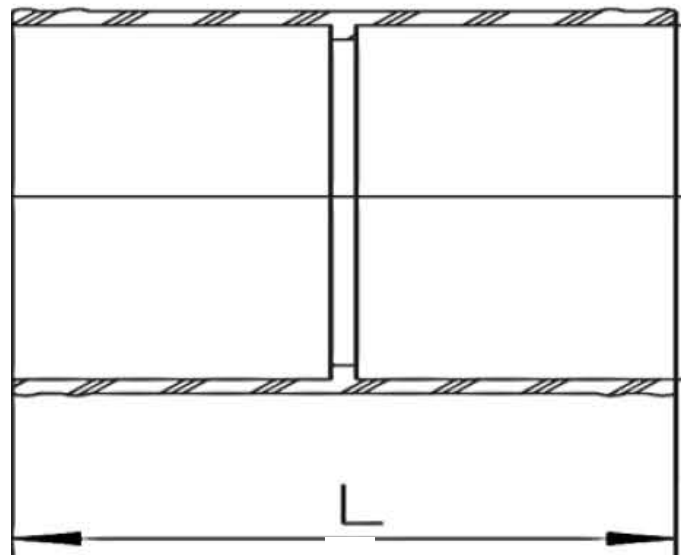
	PART #	OD - DESCRIPTION	BOX QTY	L1 (IN)	WT (LB)	WT (G)
	NP-100-3190	2" Coupling	EA	1.850"	0.139	63.0
	NP-100-3191	3" Coupling	EA	3.189"	0.448	203.2
	NP-100-3192	4" Coupling	EA	3.779"	0.794	360.2

The information contained herein is not intended to replace the full product installation and safety information available or the experience of a trained product installer. You are required to thoroughly read all installation instructions and product safety information before beginning the installation of a product.

All installations must completely comply with all NDL Industries warnings and instructions, national state and local codes and all applicable ANSI standards.

NDL Industries product specifications in U.S. customary units and metric are approximate and are provided for reference only. For precise measurements, please contact Customer

Service. NDL Industries reserves the right to change or modify product design, construction, specifications, or materials without prior notice and without incurring any obligation to make such changes and modifications on NDL products previously or subsequently sold.

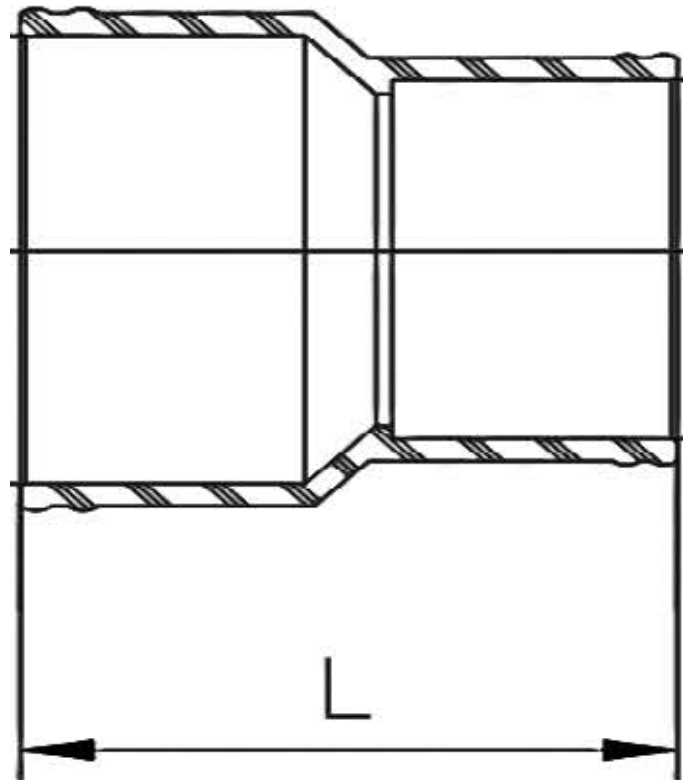




Reducing Couplings

Reducing Couplings Dimensions and Selection

	PART #	OD - DESCRIPTION	BOX QTY	L1 (IN)	WT (LB)	WT (G)
	NP-102-3205	3" x 2" Reducing Coupling	EA	3.150"	0.335	152.0
	NP-102-3207	4" x 3" Reducing Coupling	EA	4.055"	0.661	299.8



The information contained herein is not intended to replace the full product installation and safety information available or the experience of a trained product installer. You are required to thoroughly read all installation instructions and product safety information before beginning the installation of a product.

All installations must completely comply with all NDL Industries warnings and instructions, national state and local codes and all applicable ANSI standards.

NDL Industries product specifications in U.S. customary units and metric are approximate and are provided for reference only. For precise measurements, please contact Customer

Service. NDL Industries reserves the right to change or modify product design, construction, specifications, or materials without prior notice and without incurring any obligation to make such changes and modifications on NDL products previously or subsequently sold.



Explore our full line of high-quality HVAC-R and plumbing products.

ndlinc.com | 1-866-635-6888 | sales@ndlinc.com

@ndlindustries

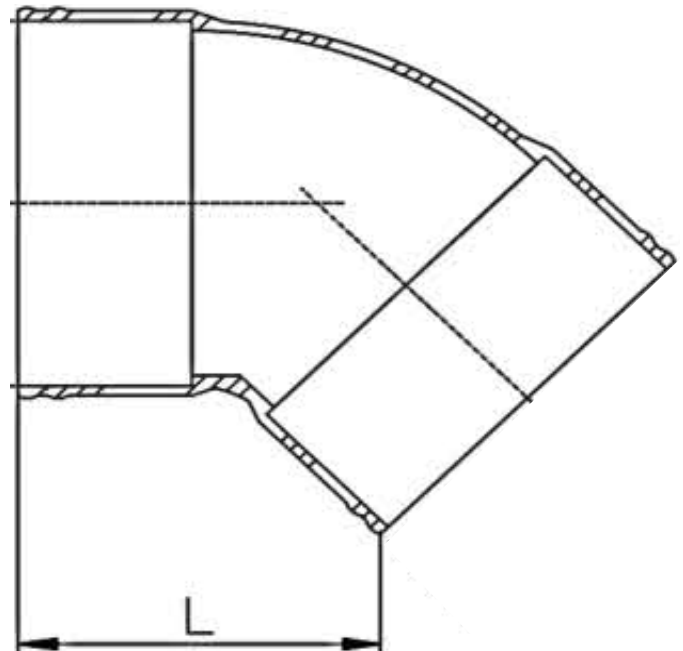




45° 1/8 Bend Elbows

45° 1/8 Bend Elbows Dimensions and Selection

	PART #	OD - DESCRIPTION	BOX QTY	L1 (IN)	WT (LB)	WT (G)
	NP-321-3402	2" 45° 1/8" Bend Elbow	EA	2.953"	0.298	135.2
	NP-321-3403	3" 45° 1/8" Bend Elbow	EA	4.606"	0.904	410.0
	NP-321-3404	4" 45° 1/8" Bend Elbow	EA	4.961"	1.413	640.9



The information contained herein is not intended to replace the full product installation and safety information available or the experience of a trained product installer. You are required to thoroughly read all installation instructions and product safety information before beginning the installation of a product.

All installations must completely comply with all NDL Industries warnings and instructions, national state and local codes and all applicable ANSI standards.

NDL Industries product specifications in U.S. customary units and metric are approximate and are provided for reference only. For precise measurements, please contact Customer

Service. NDL Industries reserves the right to change or modify product design, construction, specifications, or materials without prior notice and without incurring any obligation to make such changes and modifications on NDL products previously or subsequently sold.



Explore our full line of high-quality HVAC-R and plumbing products.

ndlinc.com | 1-866-635-6888 | sales@ndlinc.com

@ndlindustries

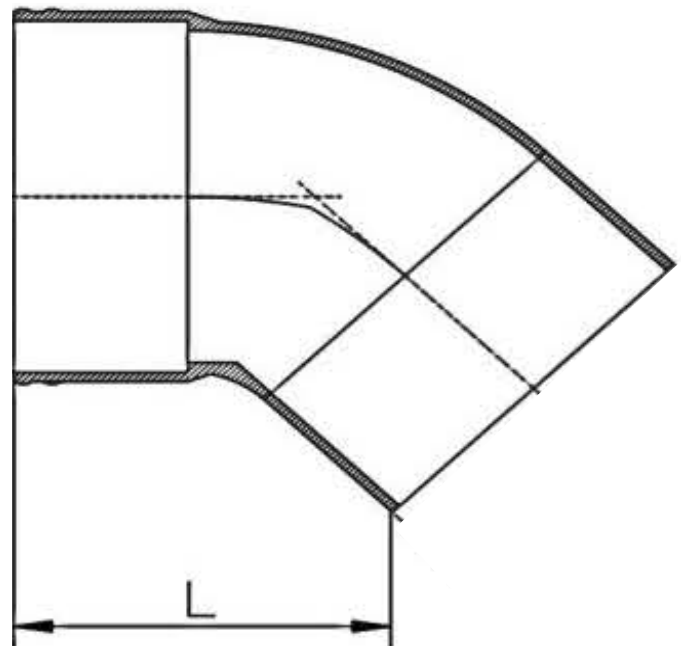




45° 1/8 Bend Street Elbows

45° 1/8 Bend Street Elbows Dimensions and Selection

	PART #	OD - DESCRIPTION	BOX QTY	L1 (IN)	WT (LB)	WT (G)
	NP-321-3409	2" 45° 1/8" Bend Street Elbow	EA	3.149"	0.287	130.2
	NP-321-3410	3" 45° 1/8" Bend Street Elbow	EA	4.370"	0.796	361.1
	NP-321-3411	4" 45° 1/8" Bend Street Elbow	EA	4.961"	1.329	602.8



The information contained herein is not intended to replace the full product installation and safety information available or the experience of a trained product installer. You are required to thoroughly read all installation instructions and product safety information before beginning the installation of a product.

All installations must completely comply with all NDL Industries warnings and instructions, national state and local codes and all applicable ANSI standards.

NDL Industries product specifications in U.S. customary units and metric are approximate and are provided for reference only. For precise measurements, please contact Customer

Service. NDL Industries reserves the right to change or modify product design, construction, specifications, or materials without prior notice and without incurring any obligation to make such changes and modifications on NDL products previously or subsequently sold.



Explore our full line of high-quality HVAC-R and plumbing products.

ndlinc.com | 1-866-635-6888 | sales@ndlinc.com

@ndlindustries





90° 1/4 Long Turn Elbows

90° 1/4 Long Turn Elbows Dimensions and Selection

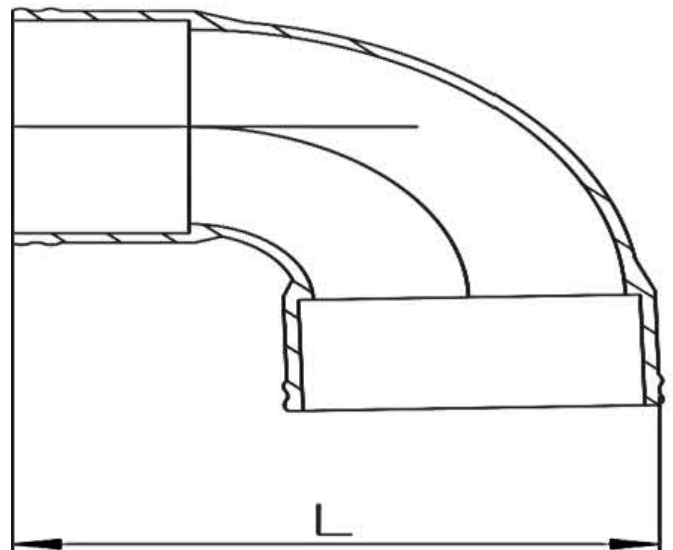
	PART #	OD - DESCRIPTION	BOX QTY	L1 (IN)	WT (LB)	WT (G)
	NP-304-3379	2" 90° 1/4" Long Turn Elbow	EA	5.512"	0.432	196.0
	NP-304-3380	3" 90° 1/4" Long Turn Elbow	EA	7.559"	1.058	479.9
	NP-304-3381	4" 90° 1/4" Long Turn Elbow	EA	7.598"	2.328	1056.0

The information contained herein is not intended to replace the full product installation and safety information available or the experience of a trained product installer. You are required to thoroughly read all installation instructions and product safety information before beginning the installation of a product.

All installations must completely comply with all NDL Industries warnings and instructions, national state and local codes and all applicable ANSI standards.

NDL Industries product specifications in U.S. customary units and metric are approximate and are provided for reference only. For precise measurements, please contact Customer

Service. NDL Industries reserves the right to change or modify product design, construction, specifications, or materials without prior notice and without incurring any obligation to make such changes and modifications on NDL products previously or subsequently sold.



Explore our full line of high-quality HVAC-R and plumbing products.

ndlinc.com | 1-866-635-6888 | sales@ndlinc.com

@ndlindustries

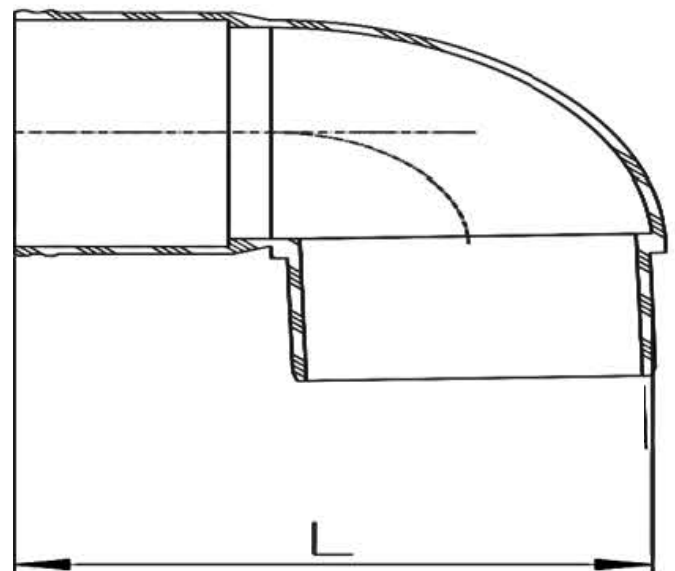




90° 1/4 Long Turn Street Elbows

90° 1/4 Long Turn Street Elbows Dimensions and Selection

	PART #	OD - DESCRIPTION	BOX QTY	L1 (IN)	WT (LB)	WT (G)
	NP-309-3387	2" 90° Long Turn Street Elbow	EA	5.394	0.412	186.9
	NP-309-3388	3" 90° Long Turn Street Elbow	EA	7.362	1.023	464.0
	NP-309-3389	4" 90° Long Turn Street Elbow	EA	8.890	1.892	858.2



The information contained herein is not intended to replace the full product installation and safety information available or the experience of a trained product installer. You are required to thoroughly read all installation instructions and product safety information before beginning the installation of a product.

All installations must completely comply with all NDL Industries warnings and instructions, national state and local codes and all applicable ANSI standards.

NDL Industries product specifications in U.S. customary units and metric are approximate and are provided for reference only. For precise measurements, please contact Customer

Service. NDL Industries reserves the right to change or modify product design, construction, specifications, or materials without prior notice and without incurring any obligation to make such changes and modifications on NDL products previously or subsequently sold.



Explore our full line of high-quality HVAC-R and plumbing products.

ndlinc.com | 1-866-635-6888 | sales@ndlinc.com

@ndlindustries





90° 1/4 Short Turn Elbows

90° 1/4 Short Turn Street Elbows Dimensions and Selection

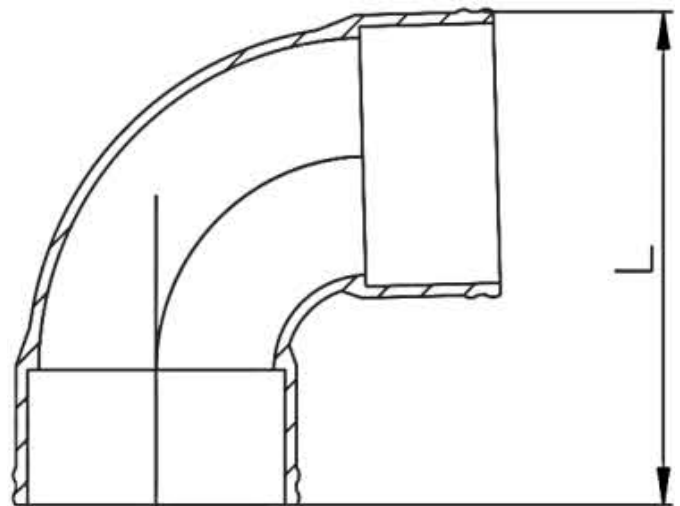
	PART #	OD - DESCRIPTION	BOX QTY	L1 (IN)	WT (LB)	WT (G)
	NP-300-3356	2" 90° 1/4" Short Turn Elbow	EA	3.622"	0.256	116.1
	NP-300-3357	3" 90° 1/4" Short Turn Elbow	EA	5.827"	0.765	347.0
	NP-300-3358	4" 90° 1/4" Short Turn Elbow	EA	7.244"	1.471	667.2

The information contained herein is not intended to replace the full product installation and safety information available or the experience of a trained product installer. You are required to thoroughly read all installation instructions and product safety information before beginning the installation of a product.

All installations must completely comply with all NDL Industries warnings and instructions, national state and local codes and all applicable ANSI standards.

NDL Industries product specifications in U.S. customary units and metric are approximate and are provided for reference only. For precise measurements, please contact Customer

Service. NDL Industries reserves the right to change or modify product design, construction, specifications, or materials without prior notice and without incurring any obligation to make such changes and modifications on NDL products previously or subsequently sold.



Explore our full line of high-quality HVAC-R and plumbing products.

ndlinc.com | 1-866-635-6888 | sales@ndlinc.com

@ndlindustries





90° 1/4 Short Turn Street Elbows

90° 1/4 Short Turn Street Elbows Dimensions and Selection

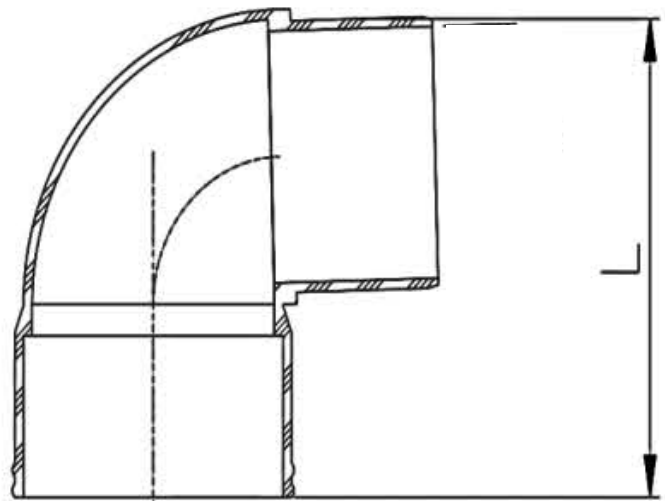
	PART #	OD - DESCRIPTION	BOX QTY	L1 (IN)	WT (LB)	WT (G)
	NP-302-3371	2" 90° 1/4" Short Turn Street Elbow	EA	3.504"	0.225	102.1
	NP-302-3372	3" 90° 1/4" Short Turn Street Elbow	EA	5.630"	0.824	373.8
	NP-302-3373	4" 90° 1/4" Short Turn Street Elbow	EA	6.988"	1.486	674.0

The information contained herein is not intended to replace the full product installation and safety information available or the experience of a trained product installer. You are required to thoroughly read all installation instructions and product safety information before beginning the installation of a product.

All installations must completely comply with all NDL Industries warnings and instructions, national state and local codes and all applicable ANSI standards.

NDL Industries product specifications in U.S. customary units and metric are approximate and are provided for reference only. For precise measurements, please contact Customer

Service. NDL Industries reserves the right to change or modify product design, construction, specifications, or materials without prior notice and without incurring any obligation to make such changes and modifications on NDL products previously or subsequently sold.



Explore our full line of high-quality HVAC-R and plumbing products.

ndlinc.com | 1-866-635-6888 | sales@ndlinc.com

@ndlindustries

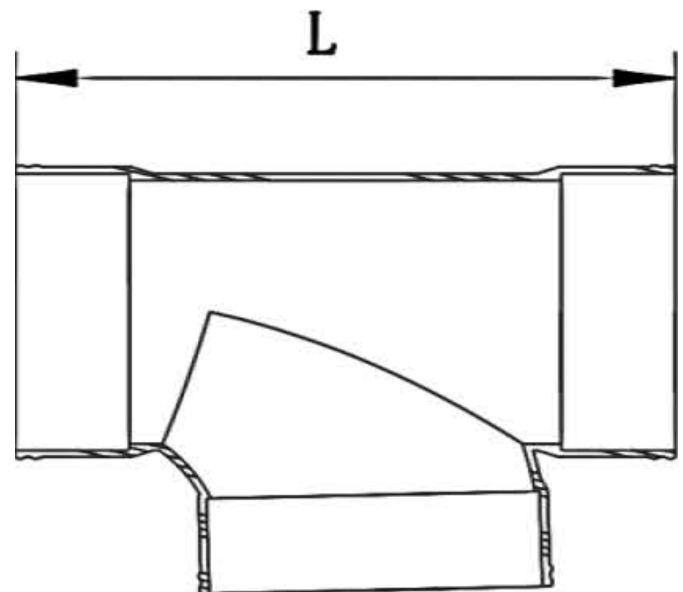




Sanitary Tees

Sanitary Tees Dimensions and Selection

	PART #	OD - DESCRIPTION	BOX QTY	L1 (IN)	WT (LB)	WT (G)
	NP-400-3464	2" Sanitary Tee	54	5.197"	0.419	190.1
	NP-400-3465	3" Sanitary Tee	16	7.795"	1.325	601.0
	NP-400-3466	4" Sanitary Tee	8	9.173"	2.177	987.5



The information contained herein is not intended to replace the full product installation and safety information available or the experience of a trained product installer. You are required to thoroughly read all installation instructions and product safety information before beginning the installation of a product.

All installations must completely comply with all NDL Industries warnings and instructions, national state and local codes and all applicable ANSI standards.

NDL Industries product specifications in U.S. customary units and metric are approximate and are provided for reference only. For precise measurements, please contact Customer

Service. NDL Industries reserves the right to change or modify product design, construction, specifications, or materials without prior notice and without incurring any obligation to make such changes and modifications on NDL products previously or subsequently sold.



Explore our full line of high-quality
HVAC-R and plumbing products.

ndlinc.com | 1-866-635-6888 | sales@ndlinc.com

@ndlindustries

