



Beaded Core Liquid Line Filter Driers (NMH)

TECHNICAL SPECIFICATIONS SUBMITTAL FORM

Job Name:	Submittal Date:	Wholesaler:
Job Location:	Engineer/Architect:	Contractor:

Product Use:

Filter Driers for use in HVAC and Refrigeration applications.

Design and Features:

- Body design manufactured with advanced welding technology for leak-free joints and superior performance with high-pressure refrigerants.
- Finished with semi-gloss black epoxy-polyester powder coat paint tested to 1,000 hours of salt spray, exceeding ASTM standards.
- Desiccant comprised of molecular sieve and activated alumina in a ratio of 70:30.
- Strong and rust-free furnace-brazed threaded fittings.
- This product is recommended for refrigeration, freezing, air-conditioning systems, and mobile refrigeration due to its versatility and superior performance.
- Furnace brazed pure copper ends, boasting both longer length and thicker walls when juxtaposed with other brands' offerings.
- Uses honey-comb design perforated plate to minimize pressure drops.
- Solid core type with XH-11 grade molecular sieves.
- One-year warranty.

Certifications and Approvals:

- CE
- UL-Listed

Selection:

- Beaded Core Liquid Line Filter Driers
- Beaded Core Liquid Line Filter Driers with Tracer Wafer
- 3/8 Combo Filter Driers with Sight Glass





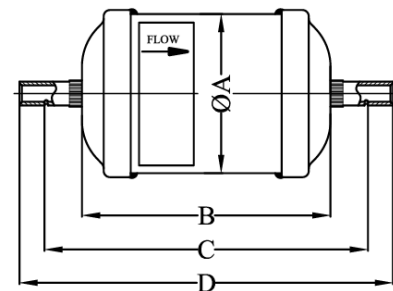
Beaded Core Liquid Line Filter Driers

NMH-S Dimensions

PART #	OUTER DIA. ØA		BODY LENGTH B		STOPPER TO STOPPER LENGTH C		OVERALL LENGTH D		CONNECTION TYPE (IN)	WT (LB)	WT (G)		
	MM	IN	MM	IN	MM	IN	MM	IN					
NMH-052S	Ø 63.5	Ø 2.5"	78	3.07"	108	4.25"	128	5.04"	1/4" ODF	0.992	450		
NMH-053S									3/8" ODF	1.058	480		
NMH-082S			99	3.9"	129	5.08"	149	5.87"	1/4" ODF	1.389	630		
NMH-083S									3/8" ODF	1.168	530		
NMH-084S									1/2" ODF	1.609	730		
NMH-163S			Ø 76.2	Ø 3"	122	4.8"	152	5.98"	172	6.77"	3/8" ODF	1.676	760
NMH-164S											1/2" ODF	1.499	680
NMH-165S											5/8" ODF	1.499	680
NMH-303S	3/8" ODF	3.219									1460		
NMH-304S	Ø 76.2	Ø 3"	190	7.48"	220	8.66"	240	9.45"	1/2" ODF	3.329	1510		
NMH-305S									5/8" ODF	3.197	1450		
NMH-306S									3/4" ODF	2.976	1350		
NMH-414S	Ø 88.9	Ø 3.5"	198	7.8"	228	8.98"	248	9.76"	1/2" ODF	4.012	1820		
NMH-415S									5/8" ODF	4.101	1860		

NMH-S Dimensions

NMH-052S	1/4" Liquid Line Filter Drier
NMH-053S	3/8" Liquid Line Filter Drier
NMH-082S	3/8" Liquid Line Filter Drier
NMH-083S	3/8" Liquid Line Filter Drier
NMH-084S	3/8" Liquid Line Filter Drier
NMH-163S	1/2" Liquid Line Filter Drier
NMH-164S	1/2" Liquid Line Filter Drier
NMH-165S	5/8" Liquid Line Filter Drier
NMH-303S	1/2" Liquid Line Filter Drier
NMH-304S	5/8" Liquid Line Filter Drier
NMH-305S	5/8" Liquid Line Filter Drier
NMH-306S	3/4" Liquid Line Filter Drier
NMH-414S	1/2" Liquid Line Filter Drier
NMH-415S	5/8" Liquid Line Filter Drier



The information contained herein is not intended to replace the full product installation and safety information available or the experience of a trained product installer. You are required to thoroughly read all installation instructions and product safety information before beginning the installation of a product.

All installations must completely comply with all NDL Industries warnings and instructions, national state and local codes and all applicable ANSI standards.

NDL Industries product specifications in U.S. customary units and metric are approximate and are provided for reference only. For precise measurements, please contact Customer.

Service. NDL Industries reserves the right to change or modify product design, construction, specifications, or materials without prior notice and without incurring any obligation to make such changes and modifications on NDL products previously or subsequently sold.



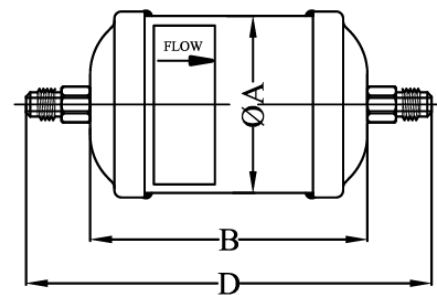
Beaded Core Liquid Line Filter Driers

NMH-F Dimensions

PART #	OUTER DIA. ØA		BODY LENGTH B		OVERALL LENGTH D		CONNECTION TYPE (IN)	WT (LB)	WT (G)
	MM	IN	MM	IN	MM	IN			
NMH-052F	Ø 63.5	Ø 2.5"	78	3.07"	124	4.88"	1/4" SAE	1.014	460
NMH-053F					132	5.2"	3/8" SAE	1.058	480
NMH-082F			99	3.9"	145	5.71"	1/4" SAE	1.294	587
NMH-083F					153	6.02"	3/8" SAE	1.389	630
NMH-084F					159	6.26"	1/2" SAE	1.433	650
NMH-163F					122	4.8"	176	6.93"	3/8" SAE
NMH-164F			182	7.17"			1/2" SAE	1.676	760
NMH-165F			190	7.48"			5/8" SAE	1.72	780
NMH-303F	Ø 76.2	Ø 3"	190	7.48"			244	9.61"	3/8" SAE
NMH-304F					250	9.84"	1/2" SAE	3.219	1460
NMH-305F					258	10.16"	5/8" SAE	3.329	1510
NMH-306F					264	10.39"	3/4" SAE	3.505	1590
NMH-414F	Ø 88.9	Ø 3.5"	198	7.79"	258	10.16"	1/2" SAE	4.189	1900
NMH-415F					266	10.47"	5/8" SAE	4.431	2010

NMH-F Dimensions

NMH-052F	1/4" Liquid Line Filter Drier
NMH-053F	3/8" Liquid Line Filter Drier
NMH-082F	1/4" Liquid Line Filter Drier
NMH-083F	3/8" Liquid Line Filter Drier
NMH-084F	1/2" Liquid Line Filter Drier
NMH-163F	3/8" Liquid Line Filter Drier
NMH-164F	1/2" Liquid Line Filter Drier
NMH-165F	5/8" Liquid Line Filter Drier
NMH-303F	3/8" Liquid Line Filter Drier
NMH-304F	1/2" Liquid Line Filter Drier
NMH-305F	5/8" Liquid Line Filter Drier
NMH-306F	3/4" Liquid Line Filter Drier
NMH-414F	1/2" Liquid Line Filter Drier
NMH-415F	5/8" Liquid Line Filter Drier



The information contained herein is not intended to replace the full product installation and safety information available or the experience of a trained product installer. You are required to thoroughly read all installation instructions and product safety information before beginning the installation of a product.

All installations must completely comply with all NDL Industries warnings and instructions, national state and local codes and all applicable ANSI standards.

NDL Industries product specifications in U.S. customary units and metric are approximate and are provided for reference only. For precise measurements, please contact Customer.

Service. NDL Industries reserves the right to change or modify product design, construction, specifications, or materials without prior notice and without incurring any obligation to make such changes and modifications on NDL products previously or subsequently sold.



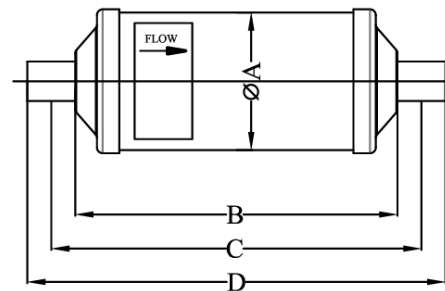
Beaded Core Liquid Line Filter Driers

NMH-S Dimensions

PART #	OUTER DIA. ØA		BODY LENGTH B		STOPPER TO STOPPER LENGTH C		OVERALL LENGTH D		CONNECTION TYPE (IN)	WT (LB)	WT (G)
	MM	IN	MM	IN	MM	IN	MM	IN			
NMH-307S	Ø 76.2	Ø 3"	195	7.68"	226	8.89"	257	10.11"	7/8" ODF	3.199	1451
NMH-309S									1-1/8" ODF	3.351	1520
NMH-417S	Ø 88.9	Ø 3.5"	198	7.79"	228	8.98"	272	10.71"	7/8" ODF	4.101	1860
NMH-419S									1-1/8" ODF	4.145	1880
NMH-757S			319	12.55"	350	13.77"	381	15"	7/8" ODF	6.945	3150
NMH-759S									1-1/8" ODF	6.945	3150

NMH-S Dimensions

NMH-307S	7/8" Liquid Line Filter Drier
NMH-309S	1-1/8" Liquid Line Filter Drier
NMH-417S	7/8" Liquid Line Filter Drier
NMH-419S	1-1/8" Liquid Line Filter Drier
NMH-757S	7/8" Liquid Line Filter Drier
NMH-759S	1-1/8" Liquid Line Filter Drier



The information contained herein is not intended to replace the full product installation and safety information available or the experience of a trained product installer. You are required to thoroughly read all installation instructions and product safety information before beginning the installation of a product.

All installations must completely comply with all NDL Industries warnings and instructions, national state and local codes and all applicable ANSI standards.

NDL Industries product specifications in U.S. customary units and metric are approximate and are provided for reference only. For precise measurements, please contact Customer.

Service. NDL Industries reserves the right to change or modify product design, construction, specifications, or materials without prior notice and without incurring any obligation to make such changes and modifications on NDL products previously or subsequently sold.



Explore our full line of high-quality HVAC-R and plumbing products.

ndlinc.com | 1-866-635-6888 | sales@ndlinc.com

@ndlindustries

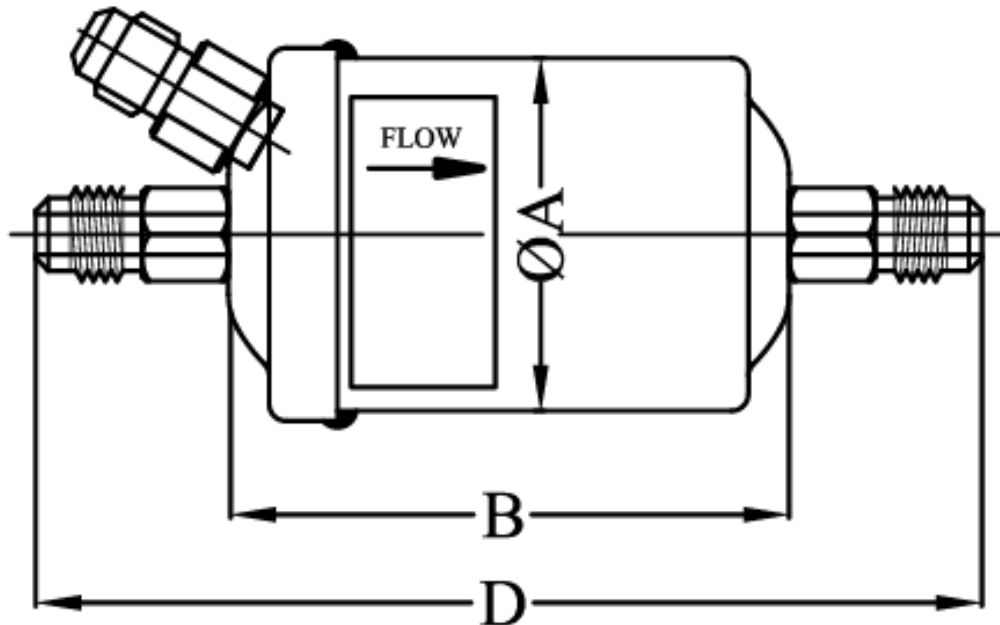




Beaded Core Liquid Line Filter Driers

NMH-S Dimensions

PART #	OUTER DIA. ØA		BODY LENGTH B		STOPPER TO STOPPER LENGTH C		OVERALL LENGTH D		CONNECTION TYPE (IN)	WT (LB)	WT (G)
	MM	IN	MM	IN	MM	IN	MM	IN			
NMH-032S	Ø 42	Ø 1.6"	67	2.64"	97	3.82"	117	4.61"	1/4" ODF	0.375	170



NMH-S Dimensions

NMH-032S	1/4" Liquid Line Filter Drier
----------	-------------------------------

The information contained herein is not intended to replace the full product installation and safety information available or the experience of a trained product installer. You are required to thoroughly read all installation instructions and product safety information before beginning the installation of a product.

All installations must completely comply with all NDL Industries warnings and instructions, national state and local codes and all applicable ANSI standards.

NDL Industries product specifications in U.S. customary units and metric are approximate and are provided for reference only. For precise measurements, please contact Customer

Service. NDL Industries reserves the right to change or modify product design, construction, specifications, or materials without prior notice and without incurring any obligation to make such changes and modifications on NDL products previously or subsequently sold.



Explore our full line of high-quality HVAC-R and plumbing products.

ndlinc.com | 1-866-635-6888 | sales@ndlinc.com

@ndlindustries

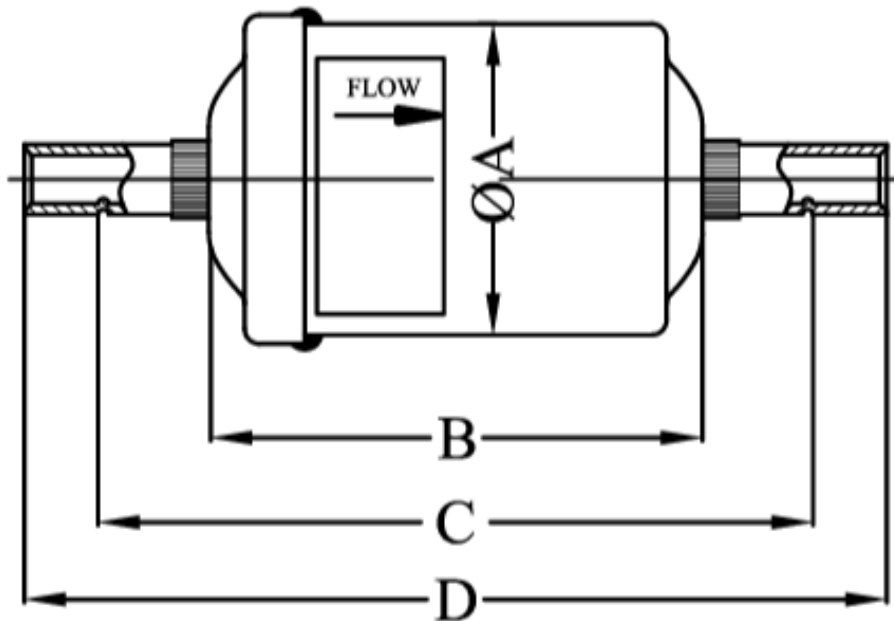




Beaded Core Liquid Line Filter Driers

NMH-S Dimensions

PART #	OUTER DIA. ØA		BODY LENGTH B		STOPPER TO STOPPER LENGTH C		OVERALL LENGTH D		CONNECTION TYPE (IN)	WT (LB)	WT (G)
	MM	IN	MM	IN	MM	IN	MM	IN			
NMH-033S	Ø 42	Ø 1.6"	67	2.64"	97	3.82"	117	4.61"	3/8" ODF	0.375	170



NMH-S Dimensions

	NMH-033S	3/8" Liquid Line Filter Drier
--	----------	-------------------------------

The information contained herein is not intended to replace the full product installation and safety information available or the experience of a trained product installer. You are required to thoroughly read all installation instructions and product safety information before beginning the installation of a product.

All installations must completely comply with all NDL Industries warnings and instructions, national state and local codes and all applicable ANSI standards.

NDL Industries product specifications in U.S. customary units and metric are approximate and are provided for reference only. For precise measurements, please contact Customer

Service. NDL Industries reserves the right to change or modify product design, construction, specifications, or materials without prior notice and without incurring any obligation to make such changes and modifications on NDL products previously or subsequently sold.



Explore our full line of high-quality HVAC-R and plumbing products.

ndlinc.com | 1-866-635-6888 | sales@ndlinc.com

@ndlindustries

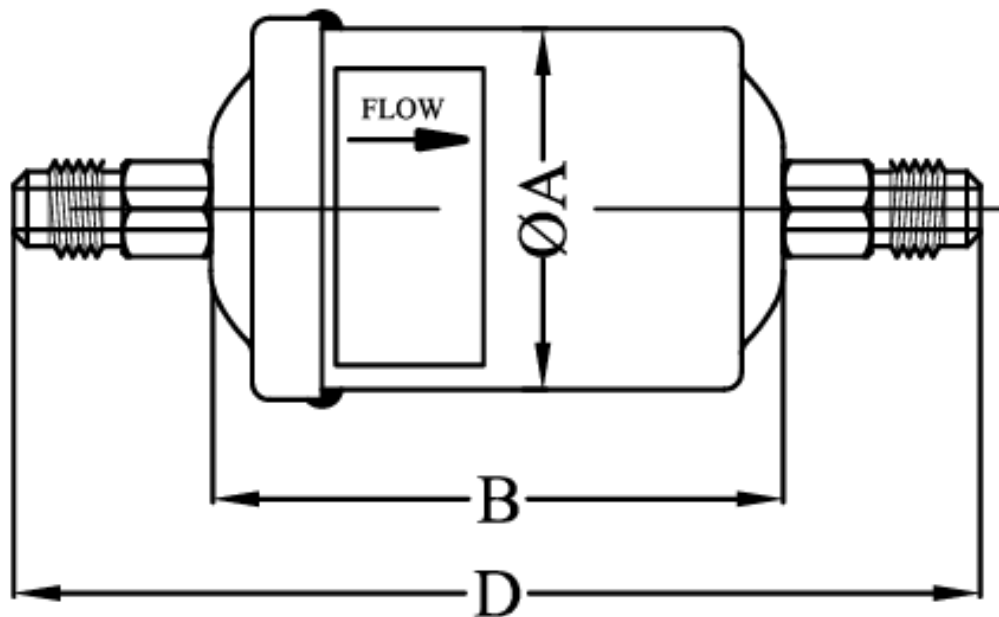




Beaded Core Liquid Line Filter Driers

NMH-F Dimensions

PART #	OUTER DIA. $\varnothing A$		BODY LENGTH B		OVERALL LENGTH D		CONNECTION TYPE (IN)	WT (LB)	WT (G)
	MM	IN	MM	IN	MM	IN			
NMH-032F	$\varnothing 42$	$\varnothing 1.6''$	67	2.64''	113	4.45''	1/4" SAE	0.441	200
NMH-033F					121	4.76''	3/8" SAE	0.485	220



NMH-F Dimensions

	NMH-032F	1/4" Liquid Line Filter Drier
	NMH-033F	3/8" Liquid Line Filter Drier

The information contained herein is not intended to replace the full product installation and safety information available or the experience of a trained product installer. You are required to thoroughly read all installation instructions and product safety information before beginning the installation of a product.

All installations must completely comply with all NDL Industries warnings and instructions, national state and local codes and all applicable ANSI standards.

NDL Industries product specifications in U.S. customary units and metric are approximate and are provided for reference only. For precise measurements, please contact Customer

Service. NDL Industries reserves the right to change or modify product design, construction, specifications, or materials without prior notice and without incurring any obligation to make such changes and modifications on NDL products previously or subsequently sold.



Explore our full line of high-quality HVAC-R and plumbing products.

ndlinc.com | 1-866-635-6888 | sales@ndlinc.com

@ndlindustries

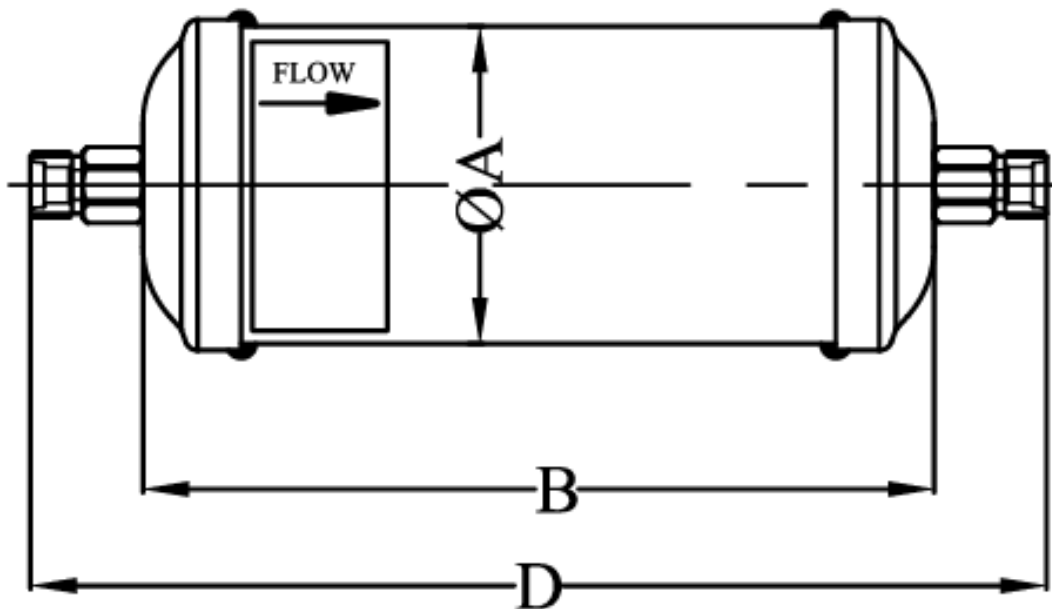




Beaded Core Liquid Line Filter Driers

NMH-ORN Dimensions

PART #	OUTER DIA. $\varnothing A$		BODY LENGTH B		OVERALL LENGTH D		CONNECTION TYPE (IN)	WT (LB)	WT (G)
	MM	IN	MM	IN	MM	IN			
NCH-303 ORN	$\varnothing 76.2$	$\varnothing 3"$	190	7.48"	244	9.61"	3/8" O-Ring	3.329	1510



NMH-ORN Dimensions

NCH-303 ORN	3/8" Liquid Line Filter Drier
-------------	-------------------------------

The information contained herein is not intended to replace the full product installation and safety information available or the experience of a trained product installer. You are required to thoroughly read all installation instructions and product safety information before beginning the installation of a product.

All installations must completely comply with all NDL Industries warnings and instructions, national state and local codes and all applicable ANSI standards.

NDL Industries product specifications in U.S. customary units and metric are approximate and are provided for reference only. For precise measurements, please contact Customer

Service. NDL Industries reserves the right to change or modify product design, construction, specifications, or materials without prior notice and without incurring any obligation to make such changes and modifications on NDL products previously or subsequently sold.



Explore our full line of high-quality HVAC-R and plumbing products.

ndlinc.com | 1-866-635-6888 | sales@ndlinc.com

@ndlindustries

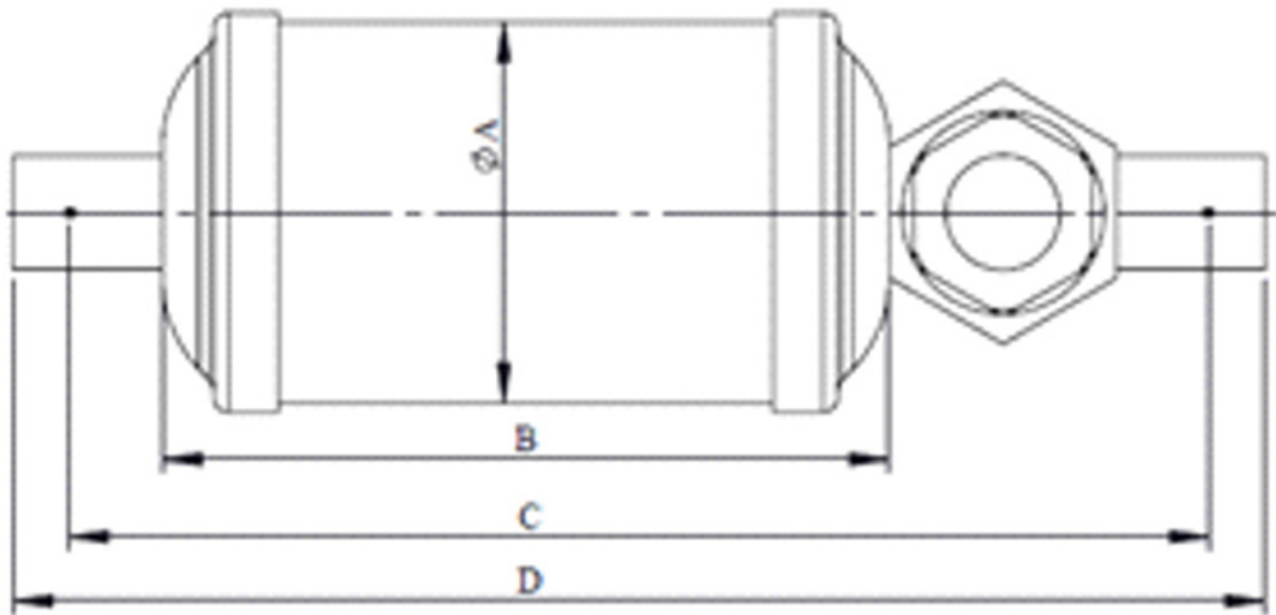




3/8 Combo Filter Driers with Sight Glass

NMHS-G-S Dimensions

PART #	OUTER DIA. ØA		BODY LENGTH B		STOPPER TO STOPPER LENGTH C		OVERALL LENGTH D		CONNECTION TYPE (IN)	WT (LB)	WT (G)
	MM	IN	MM	IN	MM	IN	MM	IN			
NMHS-G-083S	Ø 63.5	Ø 2.5"	99	3.9"	167	6.57"	187	7.36"	3/8" ODF	1.164	528.0
NMHS-G-163S			122	4.8"	190	7.48"	210	8.27"		2.039	925.0



NMHS-G-S Dimensions

	NMHS-G-083S	3/8" Combo Filter Drier with Sight Glass
	NMHS-G-163S	3/8" Combo Filter Drier with Sight Glass

The information contained herein is not intended to replace the full product installation and safety information available or the experience of a trained product installer. You are required to thoroughly read all installation instructions and product safety information before beginning the installation of a product.

All installations must completely comply with all NDL Industries warnings and instructions, national state and local codes and all applicable ANSI standards.

NDL Industries product specifications in U.S. customary units and metric are approximate and are provided for reference only. For precise measurements, please contact Customer

Service. NDL Industries reserves the right to change or modify product design, construction, specifications, or materials without prior notice and without incurring any obligation to make such changes and modifications on NDL products previously or subsequently sold.



Explore our full line of high-quality HVAC-R and plumbing products.

ndlinc.com | 1-866-635-6888 | sales@ndlinc.com

@ndlindustries

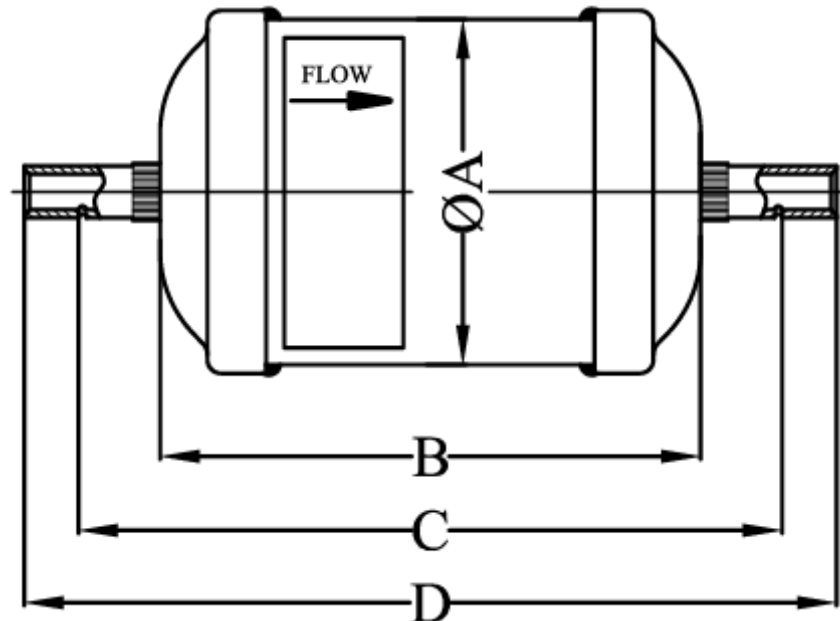




Beaded Core Liquid Line Filter Driers with TW

NMH-S-TW Dimensions

PART #	OUTER DIA. $\varnothing A$		BODY LENGTH B		STOPPER TO STOPPER LENGTH C		OVERALL LENGTH D		CONNECTION TYPE (IN)	WT (LB)	WT (G)
	MM	IN	MM	IN	MM	IN	MM	IN			
NMH-052S-TW	$\varnothing 63.5$	$\varnothing 2.5''$	78	3.07''	108	4.25''	128	5.04''	1/4" ODF	0.990	449.1
NMH-083S-TW			99	3.9''	129	5.08''	149	5.87''	3/8" ODF	1.400	635.0
NMH-163S-TW			122	4.8''	152	5.98''	172	6.77''	3/8" ODF	1.450	657.7



NMH-S-TW Dimensions

NMH-052S-TW	1/4" Liquid Line Filter Drier with Tracer Wafer
NMH-083S-TW	3/8" Liquid Line Filter Drier with Tracer Wafer
NMH-163S-TW	3/8" Liquid Line Filter Drier with Tracer Wafer

The information contained herein is not intended to replace the full product installation and safety information available or the experience of a trained product installer. You are required to thoroughly read all installation instructions and product safety information before beginning the installation of a product.

All installations must completely comply with all NDL Industries warnings and instructions, national state and local codes and all applicable ANSI standards.

NDL Industries product specifications in U.S. customary units and metric are approximate and are provided for reference only. For precise measurements, please contact Customer

Service. NDL Industries reserves the right to change or modify product design, construction, specifications, or materials without prior notice and without incurring any obligation to make such changes and modifications on NDL products previously or subsequently sold.



Explore our full line of high-quality HVAC-R and plumbing products.

ndlinc.com | 1-866-635-6888 | sales@ndlinc.com

@ndlindustries

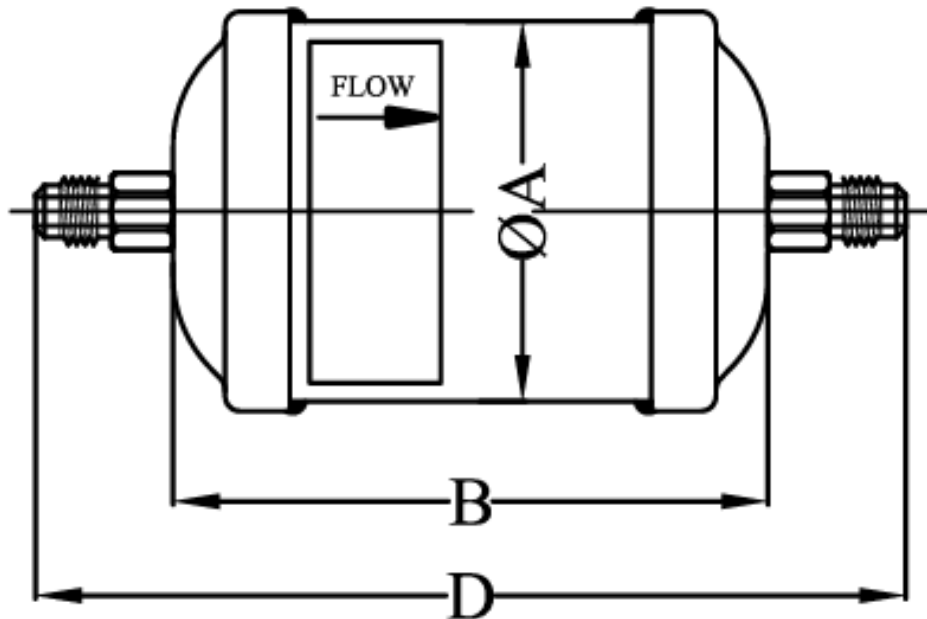




Beaded Core Liquid Line Filter Driers with TW

NMH-F-TW Dimensions

PART #	OUTER DIA. ØA		BODY LENGTH B		OVERALL LENGTH D		CONNECTION TYPE (IN)	WT (LB)	WT (G)
	MM	IN	MM	IN	MM	IN			
NMH-052F-TW	Ø 63.5	Ø 2.5"	78	3.07"	124	4.88"	1/4" SAE	1.100	499.0
NMH-083F-TW			99	3.9"	153	6.02"	3/8" SAE	0.623	282.6
NMH-163F-TW			122	4.8"	176	6.93"	3/8" SAE	1.600	725.7



NMH-F-TW Dimensions

NMH-052F-TW	1/4" Liquid Line Filter Drier with Tracer Wafer
NMH-083F-TW	3/8" Liquid Line Filter Drier with Tracer Wafer
NMH-163F-TW	3/8" Liquid Line Filter Drier with Tracer Wafer

The information contained herein is not intended to replace the full product installation and safety information available or the experience of a trained product installer. You are required to thoroughly read all installation instructions and product safety information before beginning the installation of a product.

All installations must completely comply with all NDL Industries warnings and instructions, national state and local codes and all applicable ANSI standards.

NDL Industries product specifications in U.S. customary units and metric are approximate and are provided for reference only. For precise measurements, please contact Customer

Service. NDL Industries reserves the right to change or modify product design, construction, specifications, or materials without prior notice and without incurring any obligation to make such changes and modifications on NDL products previously or subsequently sold.



Explore our full line of high-quality HVAC-R and plumbing products.

ndlinc.com | 1-866-635-6888 | sales@ndlinc.com

@ndlindustries

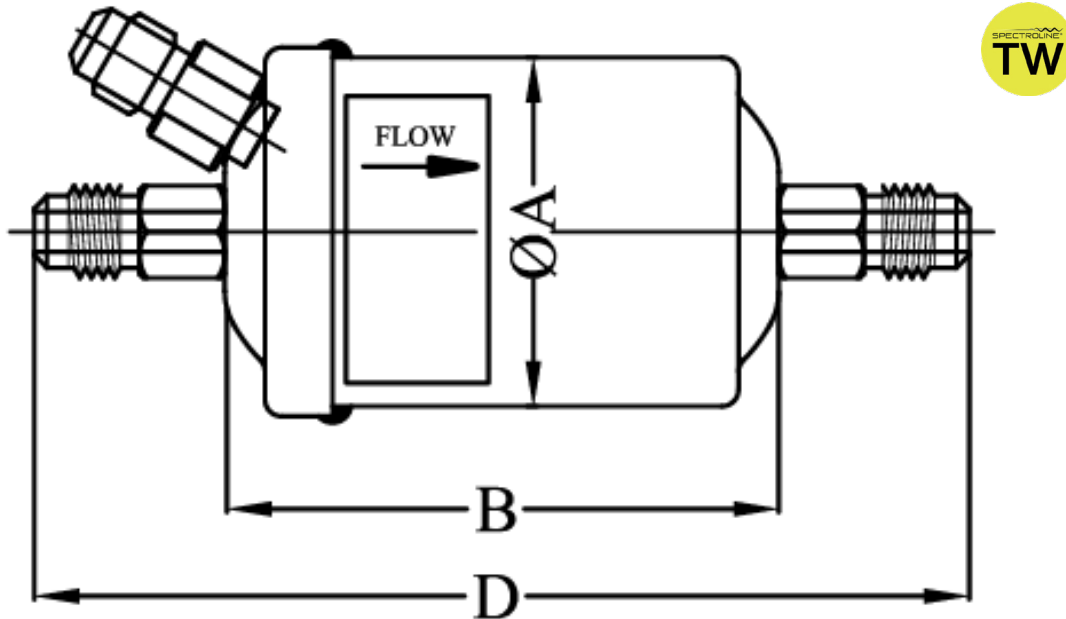




Beaded Core Liquid Line Filter Driers

NMH-S-TW Dimensions

PART #	OUTER DIA. ØA		BODY LENGTH B		STOPPER TO STOPPER LENGTH C		OVERALL LENGTH D		CONNECTION TYPE (IN)	WT (LB)	WT (G)
	MM	IN	MM	IN	MM	IN	MM	IN			
NMH-032S-TW	Ø 42	Ø 1.6"	67	2.64"	97	3.82"	117	4.61"	1/4" ODF	0.400	181.4



NMH-S-TW Dimensions

NMH-032S-TW	1/4" Liquid Line Filter Drier with Tracer Wafer
-------------	---

The information contained herein is not intended to replace the full product installation and safety information available or the experience of a trained product installer. You are required to thoroughly read all installation instructions and product safety information before beginning the installation of a product.

All installations must completely comply with all NDL Industries warnings and instructions, national state and local codes and all applicable ANSI standards.

NDL Industries product specifications in U.S. customary units and metric are approximate and are provided for reference only. For precise measurements, please contact Customer

Service. NDL Industries reserves the right to change or modify product design, construction, specifications, or materials without prior notice and without incurring any obligation to make such changes and modifications on NDL products previously or subsequently sold.



Explore our full line of high-quality HVAC-R and plumbing products.

ndlinc.com | 1-866-635-6888 | sales@ndlinc.com

@ndlindustries

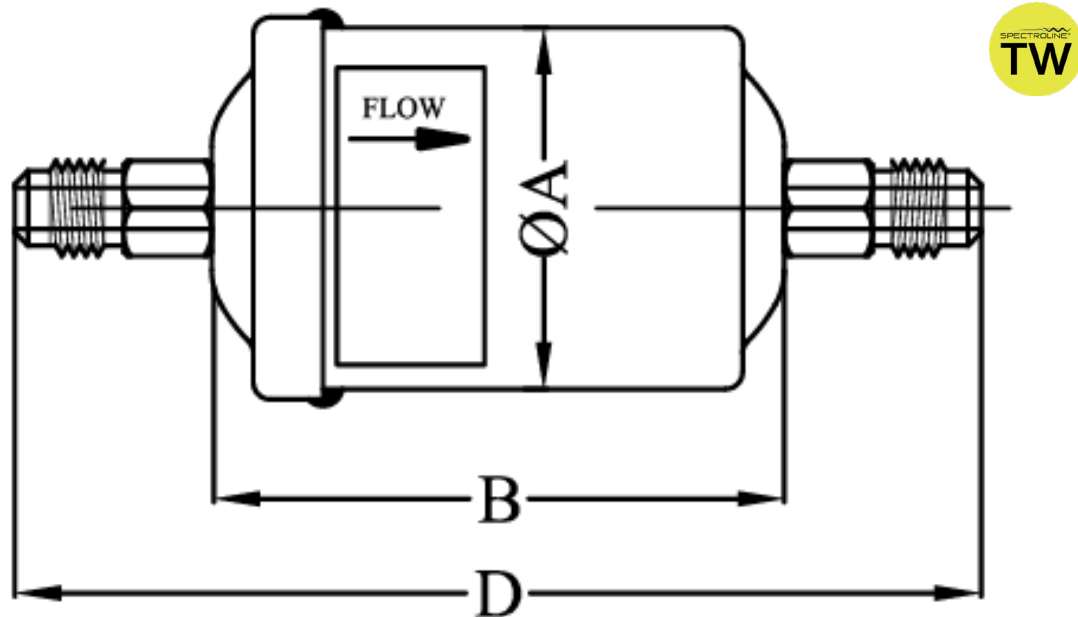




Beaded Core Liquid Line Filter Driers

NMH-F-TW Dimensions

PART #	OUTER DIA. ØA		BODY LENGTH B		OVERALL LENGTH D		CONNECTION TYPE (IN)	WT (LB)	WT (G)
	MM	IN	MM	IN	MM	IN			
NMH-032F-TW	Ø 42	Ø 1.6"	67	2.64"	113	4.45"	1/4" SAE	0.441	200



NMH-F-TW Dimensions

NMH-032F-TW	1/4" Liquid Line Filter Drier with Tracer Wafer
-------------	---

The information contained herein is not intended to replace the full product installation and safety information available or the experience of a trained product installer. You are required to thoroughly read all installation instructions and product safety information before beginning the installation of a product.

All installations must completely comply with all NDL Industries warnings and instructions, national state and local codes and all applicable ANSI standards.

NDL Industries product specifications in U.S. customary units and metric are approximate and are provided for reference only. For precise measurements, please contact Customer

Service. NDL Industries reserves the right to change or modify product design, construction, specifications, or materials without prior notice and without incurring any obligation to make such changes and modifications on NDL products previously or subsequently sold.