



# Solid Core Suction Line Filter Driers (NCHSF)

## TECHNICAL SPECIFICATIONS SUBMITTAL FORM

Job Name:	Submittal Date:	Wholesaler:
Job Location:	Engineer/Architect:	Contractor:

### Product Use:

Filter Driers for use in HVAC and Refrigeration applications.

### Design and Features:

- Body design manufactured with advanced welding technology for leak-free joints and superior performance with high-pressure refrigerants.
- Finished with semi-gloss black epoxy-polyester powder coat paint tested to 1,000 hours of salt spray, exceeding ASTM standards.
- Desiccant comprised of molecular sieve and activated alumina in a ratio of 80:20.
- Strong and rust-free furnace-brazed threaded fittings.
- Recommended for Commercial Air Conditioning, Commercial Refrigeration, Cold Chains, Precision Air Conditioners, Industrial Refrigeration, Food Retail.
- Furnace brazed pure copper ends, boasting both longer length and thicker walls when juxtaposed with other brands' offerings.
- Uses honey-comb design perforated plate to minimize pressure drops.
- Solid core type with XH-11 grade molecular sieves.
- One-year warranty

### Certifications and Approvals:

- CE
- UL-Listed

### Selection:

- Solid Core Suction Line Filter Driers
- Solid Core Suction Line Filter Driers with Tracer Wafer





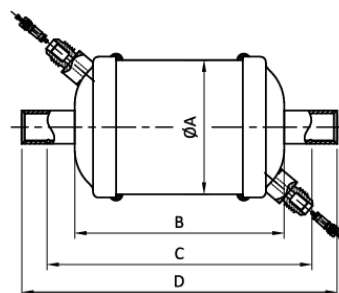
# Solid Core Suction Line Filter Driers

## NCHSF-S Dimensions

PART #	OUTER DIA. ØA		BODY LENGTH B		STOPPER TO STOPPER LENGTH C		OVERALL LENGTH D		CONNECTION TYPE (IN)	WT (LB)	WT (G)
	MM	IN	MM	IN	MM	IN	MM	IN			
NCHSF-052S	Ø 63.5	Ø 2.5"	78	3.07"	108	4.25"	128	5.04"	1/4" ODF	1.268	575
NCHSF-053S									3/8" ODF	1.268	575
NCHSF-082S			99	3.9"	129	5.08"	149	5.87"	1/4" ODF	1.51	685
NCHSF-083S									3/8" ODF	1.51	685
NCHSF-084S									1/2" ODF	1.213	550
NCHSF-163S			122	4.8"	152	5.98"	172	6.77"	3/8" ODF	1.676	760
NCHSF-164S									1/2" ODF	1.676	760
NCHSF-165S									5/8" ODF	1.676	760
NCHSF-303S	Ø 76.2	Ø 3"	190	7.48"	220	8.66"	240	9.45"	3/8" ODF	3.307	1500
NCHSF-304S									1/2" ODF	3.373	1530
NCHSF-305S									5/8" ODF	3.426	1554
NCHSF-306S									3/4" ODF	3.395	1540
NCHSF-414S	Ø 88.9	Ø 3.5"	198	7.8"	228	8.98"	248	9.76"	1/2" ODF	4.497	2040
NCHSF-415S									5/8" ODF	4.542	2060

## NCHSF-S Dimensions

NCHSF-052S	1/4" Suction Line Filter Drier
NCHSF-053S	3/8" Suction Line Filter Drier
NCHSF-082S	1/4" Suction Line Filter Drier
NCHSF-083S	3/8" Suction Line Filter Drier
NCHSF-084S	1/2" Suction Line Filter Drier
NCHSF-163S	3/8" Suction Line Filter Drier
NCHSF-164S	1/2" Suction Line Filter Drier
NCHSF-165S	5/8" Suction Line Filter Drier
NCHSF-303S	3/8" Suction Line Filter Drier
NCHSF-304S	1/2" Suction Line Filter Drier
NCHSF-305S	5/8" Suction Line Filter Drier
NCHSF-306S	3/4" Suction Line Filter Drier
NCHSF-414S	1/2" Suction Line Filter Drier
NCHSF-415S	5/8" Suction Line Filter Drier



The information contained herein is not intended to replace the full product installation and safety information available or the experience of a trained product installer. You are required to thoroughly read all installation instructions and product safety information before beginning the installation of a product.

All installations must completely comply with all NDL Industries warnings and instructions, national state and local codes and all applicable ANSI standards.

NDL Industries product specifications in U.S. customary units and metric are approximate and are provided for reference only. For precise measurements, please contact Customer.

Service. NDL Industries reserves the right to change or modify product design, construction, specifications, or materials without prior notice and without incurring any obligation to make such changes and modifications on NDL products previously or subsequently sold.



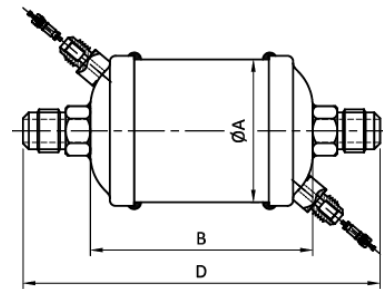
# Solid Core Suction Line Filter Driers

## NCHSF-F Dimensions

PART #	OUTER DIA. ØA		BODY LENGTH B		OVERALL LENGTH D		CONNECTION TYPE (IN)	WT (LB)	WT (G)
	MM	IN	MM	IN	MM	IN			
NCHSF-052F	Ø 63.5	Ø 2.5"	78	3.07"	124	4.88"	1/4" SAE	1.268	575
NCHSF-053F					132	5.2"	3/8" SAE	1.268	575
NCHSF-082F			99	3.9"	145	5.71"	1/4" SAE	1.51	685
NCHSF-083F							3/8" SAE	1.51	685
NCHSF-084F					159	6.26"	1/2" SAE	1.51	685
NCHSF-163F							3/8" SAE	1.72	780
NCHSF-164F			122	4.8"	190	7.48"	1/2" SAE	1.676	760
NCHSF-165F							5/8" SAE	1.676	760
NCHSF-303F	Ø 76.2	Ø 3"	190	7.48"	244	9.61"	3/8" SAE	3.307	1500
NCHSF-304F					1/2" SAE	3.527	1600		
NCHSF-305F					258	10.16"	5/8" SAE	3.638	1650
NCHSF-306F					264	10.39"	3/4" SAE	3.814	1730
NCHSF-414F	Ø 88.9	Ø 3.5"	198	7.8"	258	10.16"	1/2" SAE	4.696	2130
NCHSF-415F					266	10.47"	5/8" SAE	4.806	2180

## NCHSF-F Dimensions

NCHSF-052F	1/4" Suction Line Filter Drier
NCHSF-053F	3/8" Suction Line Filter Drier
NCHSF-082F	1/4" Suction Line Filter Drier
NCHSF-083F	3/8" Suction Line Filter Drier
NCHSF-084F	1/2" Suction Line Filter Drier
NCHSF-163F	3/8" Suction Line Filter Drier
NCHSF-164F	1/2" Suction Line Filter Drier
NCHSF-165F	5/8" Suction Line Filter Drier
NCHSF-303F	3/8" Suction Line Filter Drier
NCHSF-304F	1/2" Suction Line Filter Drier
NCHSF-305F	5/8" Suction Line Filter Drier
NCHSF-306F	3/4" Suction Line Filter Drier
NCHSF-414F	1/2" Suction Line Filter Drier
NCHSF-415F	5/8" Suction Line Filter Drier



The information contained herein is not intended to replace the full product installation and safety information available or the experience of a trained product installer. You are required to thoroughly read all installation instructions and product safety information before beginning the installation of a product.

All installations must completely comply with all NDL Industries warnings and instructions, national state and local codes and all applicable ANSI standards.

NDL Industries product specifications in U.S. customary units and metric are approximate and are provided for reference only. For precise measurements, please contact Customer.

Service. NDL Industries reserves the right to change or modify product design, construction, specifications, or materials without prior notice and without incurring any obligation to make such changes and modifications on NDL products previously or subsequently sold.



Explore our full line of high-quality HVAC-R and plumbing products.

ndlinc.com | 1-866-635-6888 | sales@ndlinc.com

@ndlindustries





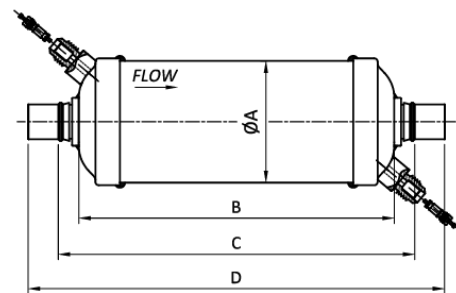
# Solid Core Liquid Line Filter Driers

## NCHSF-S

PART #	OUTER DIA. ØA		BODY LENGTH B		STOPPER TO STOPPER LENGTH C		OVERALL LENGTH D		CONNECTION TYPE (IN)	WT (LB)	WT (G)
	MM	IN	MM	IN	MM	IN	MM	IN			
NCHSF-307S	Ø 76.2	Ø 3"	190	7.48"	220	8.66"	264	10.39"	7/8" ODF	3.792	1720
NCHSF-309S							274	10.79"	1-1/8" ODF	4.189	1900
NCHSF-417S	Ø 88.9	Ø 3.5"	198	7.8"	228	8.98"	272	10.71"	7/8" ODF	4.863	2206
NCHSF-419S							282	11.1"	1-1/8" ODF	4.899	2222

## NCHSF-S Dimensions

	NCHSF-307S	7/8" Suction Line Filter Drier
	NCHSF-309S	1-1/8" Suction Line Filter Drier
	NCHSF-417S	7/8" Suction Line Filter Drier
	NCHSF-419S	1-1/8" Suction Line Filter Drier



*The information contained herein is not intended to replace the full product installation and safety information available or the experience of a trained product installer. You are required to thoroughly read all installation instructions and product safety information before beginning the installation of a product.*

*All installations must completely comply with all NDL Industries warnings and instructions, national state and local codes and all applicable ANSI standards.*

*NDL Industries product specifications in U.S. customary units and metric are approximate and are provided for reference only. For precise measurements, please contact Customer*

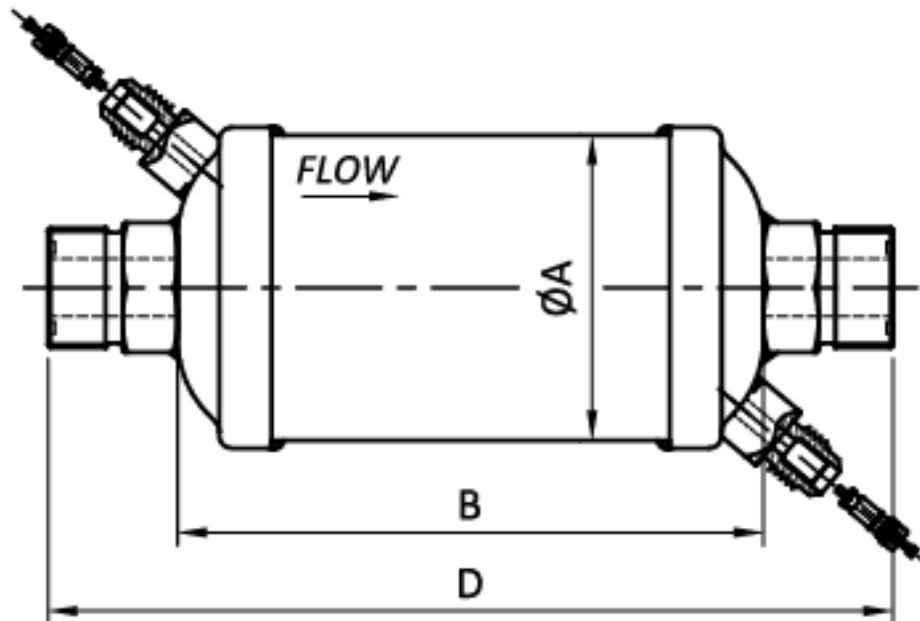
*Service. NDL Industries reserves the right to change or modify product design, construction, specifications, or materials without prior notice and without incurring any obligation to make such changes and modifications on NDL products previously or subsequently sold.*



# Solid Core Liquid Line Filter Driers

## NCHSF-ORN Dimensions

PART #	OUTER DIA. $\varnothing A$		BODY LENGTH $B$		OVERALL LENGTH $D$		CONNECTION TYPE (IN)	WT (LB)	WT (G)
	MM	IN	MM	IN	MM	IN			
NCH-303 ORN	$\varnothing 76.2$	$\varnothing 3''$	190	7.48"	244	9.61"	3/8" O-Ring	3.71	1683



## NCHSF-ORN Dimensions

NCHSF-303 ORN	3/8" Suction Line Filter Drier
---------------	--------------------------------

The information contained herein is not intended to replace the full product installation and safety information available or the experience of a trained product installer. You are required to thoroughly read all installation instructions and product safety information before beginning the installation of a product.

All installations must completely comply with all NDL Industries warnings and instructions, national state and local codes and all applicable ANSI standards.

NDL Industries product specifications in U.S. customary units and metric are approximate and are provided for reference only. For precise measurements, please contact Customer

Service. NDL Industries reserves the right to change or modify product design, construction, specifications, or materials without prior notice and without incurring any obligation to make such changes and modifications on NDL products previously or subsequently sold.



Explore our full line of high-quality HVAC-R and plumbing products.

ndlinc.com | 1-866-635-6888 | sales@ndlinc.com

@ndlindustries

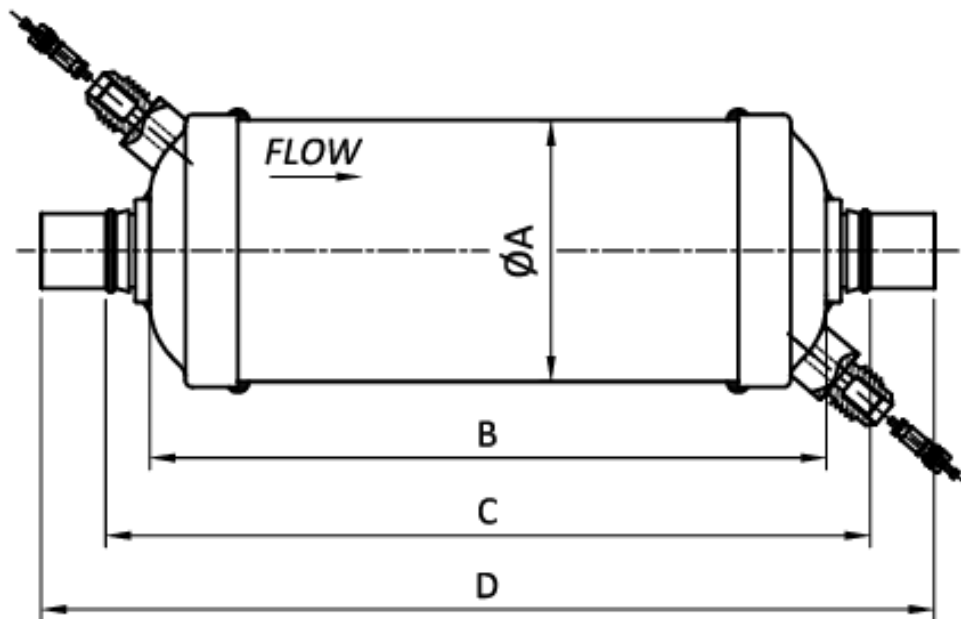




# Solid Core Liquid Line Filter Driers

## NCH-S Dimensions

PART #	OUTER DIA. ØA		BODY LENGTH B		STOPPER TO STOPPER LENGTH C		OVERALL LENGTH D		CONNECTION TYPE (IN)	WT (LB)	WT (G)
	MM	IN	MM	IN	MM	IN	MM	IN			
NCHSF-307S-TW	Ø 76.2	Ø 3"	220	8.6"	220	8.66"	264	10.39"	7/8" ODF	3.712	1683.8



## NCHSF-S-TW Dimensions

	NCHSF-307S-TW	7/8" Suction Line Filter Drier with Tracer Wafer
--	---------------	--

The information contained herein is not intended to replace the full product installation and safety information available or the experience of a trained product installer. You are required to thoroughly read all installation instructions and product safety information before beginning the installation of a product.

All installations must completely comply with all NDL Industries warnings and instructions, national state and local codes and all applicable ANSI standards.

NDL Industries product specifications in U.S. customary units and metric are approximate and are provided for reference only. For precise measurements, please contact Customer

Service. NDL Industries reserves the right to change or modify product design, construction, specifications, or materials without prior notice and without incurring any obligation to make such changes and modifications on NDL products previously or subsequently sold.



Explore our full line of high-quality HVAC-R and plumbing products.

ndlinc.com | 1-866-635-6888 | sales@ndlinc.com

@ndlindustries

