



NDL Industries

APPLICATIONS

Refrigeration, Commercial HVAC-R, VRV, VRF, Multi-mini Split, and Sub-critical Applications.

NBV-SZ Press Compatible Ball Valves

NDL ball valves perform unlike any other in its class for leak prevention, reliability, and superior field performance.



NBV-SZ Specifications

Quality Tested

Tested with 95% nitrogen and 5% hydrogen solution at 450 PSIG to detect and correct any leaks before leaving the factory.

Teflon Seals and Seats

Reduce service calls, refrigerant loss, and environmental contamination with our cone-shaped 100% virgin Teflon seals and seats that will not shrink or leak, eliminating seal replacement during changeovers.

Bottom-Up Stem Installation

Our stem placement is engineered from the bottom up. If there is an accidental over-pressurization in the valve, it will not blow the stem out and lose the charge. Plus, using the virgin Teflon seals ensures no need for seal replacement.

Two-Piece Cap Nut

No need to remove the cap during installation or service. Loosen the nut, turn 1/4 of the stem cap, and open the valve fully; close by turning 1/4 again. Tighten the nut, and the job is complete.

Oven-brazed Construction

Joined together with a smooth and equal brazing process to prevent pinhole leaks.

Unparalleled Two-year Warranty

Our warranty proves confidence, along with proudly stamping every valve with a serial number and cleanly packaging in a poly-bag to prevent contamination and malfunctions.

Heavy-duty Full Port Valves

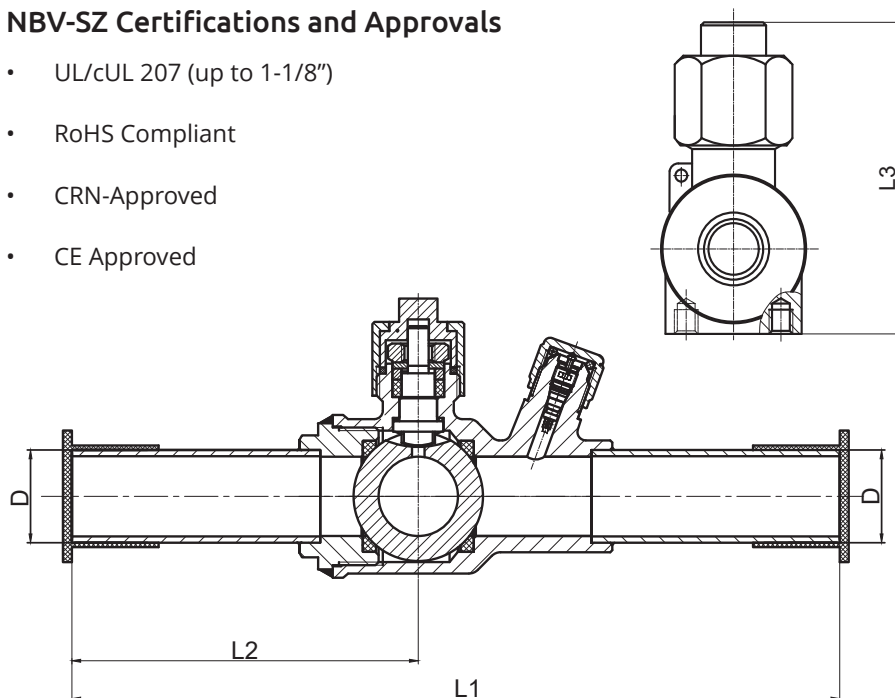
Built to last with 900 PSIG working pressure on sizes up to 7/8".



NBV-SZ Press Compatible Ball Valves

NBV-SZ Certifications and Approvals

- UL/cUL 207 (up to 1-1/8")
- RoHS Compliant
- CRN-Approved
- CE Approved



NBV-IN Insulation

EPDM-based, closed cell, light-weight elastomeric thermal insulation for temperatures up to 150°C (302°F).

- Tough skin for easy installation
- Self-extinguished and does not melt when burned
- Indoor and outdoor use
- NBV-IN-S: compatible with 1/4" to 5/8" ball valves with Schrader
- NBV-IN-M: compatible with 3/4" to 7/8" ball valves with Schrader

NBV-SZ Dimensions

MODEL	SIZE	MAX. WORKING PRESSURE		D		L1		L2		L3		WEIGHT	
		PSI	BAR	MM	IN	MM	IN	MM	IN	MM	IN	LB	G
NBV02SZ	1/4"	900	62	0.25	6.35"	6.75	171.50"	2.98	75.80"	2.02	51.30"	0.463	210
NBV03SZ	3/8"	900	62	0.37	9.52"	6.34	161.00"	2.80	71.00"	2.02	51.30"	0.474	215
NBV04SZ	1/2"	900	62	0.50	12.70"	6.56	166.50"	2.89	73.30"	2.02	51.30"	0.496	225
NBV05SZ	5/8"	900	62	0.63	15.90"	6.77	172.00"	2.05	52.00"	2.30	58.40"	0.710	320
NBV06SZ	3/4"	900	62	0.75	19.10"	6.99	177.50"	3.15	80.00"	2.60	66.00"	0.990	450
NBV07SZ	7/8"	900	62	0.88	22.30"	7.24	184.00"	3.27	83.00"	2.60	66.00"	1.100	500
NBV09SZ	1-1/8"	700	48	1.13	28.60"	8.16	207.20"	3.52	89.50"	3.27	83.00"	1.900	860
NBV11SZ	1-3/8"	700	48	1.37	34.90"	9.00	228.60"	4.29	109.00"	3.88	98.50"	3.100	1,405