



NDL Industries

## APPLICATIONS

Refrigeration, Commercial HVAC-R, VRV, VRF, Multi-mini Split, and Sub-critical Applications.

# NBV Full Port Ball Valves (without Schrader)

NDL ball valves perform unlike any other in its class for leak prevention, reliability, and superior field performance.



## NBV Specifications

### Quality Tested

Tested with 95% nitrogen and 5% hydrogen solution at 450 PSIG to detect and correct any leaks before leaving the factory.

### Teflon Seals and Seats

Reduce service calls, refrigerant loss, and environmental contamination with our cone-shaped 100% virgin Teflon seals and seats that will not shrink or leak, eliminating seal replacement during changeovers.

### Bottom-Up Stem Installation

Our stem placement is engineered from the bottom up. If there is an accidental over-pressurization in the valve, it will not blow the stem out and lose the charge. Plus, using the virgin Teflon seals ensures no need for seal replacement.

### Two-Piece Cap Nut

No need to remove the cap during installation or service. Loosen the nut, turn 1/4 of the stem cap, and open the valve fully; close by turning 1/4 again. Tighten the nut, and the job is complete.

### Oven-brazed Construction

Joined together with a smooth and equal brazing process to prevent pinhole leaks.

### Unparalleled Two-year Warranty

Our warranty proves confidence, along with proudly stamping every valve with a serial number and cleanly packaging in a poly-bag to prevent contamination and malfunctions.

### Heavy-duty Full Port Valves

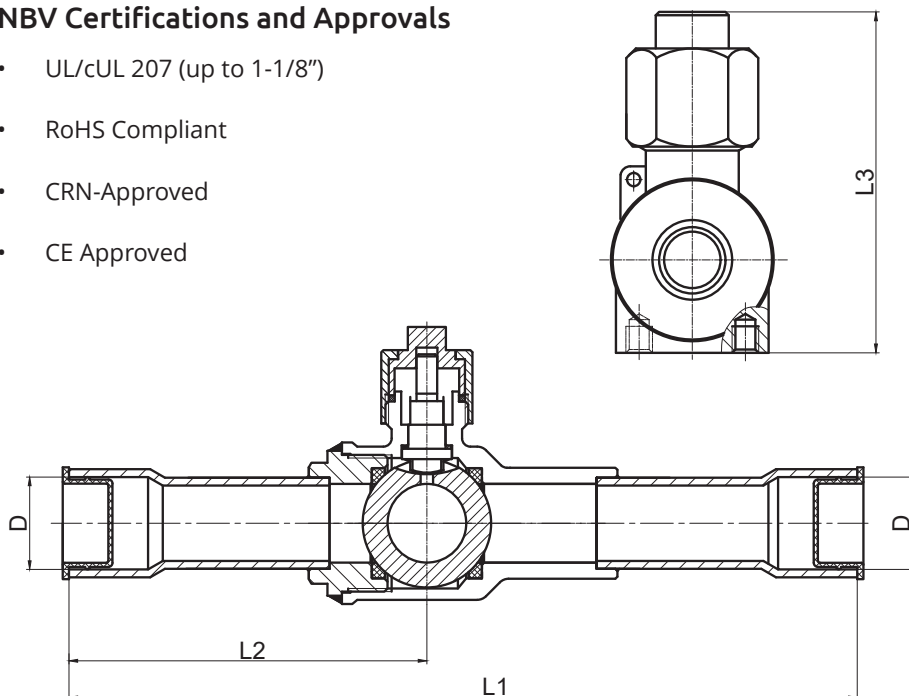
Built to last with 900 PSIG working pressure on sizes up to 7/8".



# NBV Full Port Ball Valves without Schrader

## NBV Certifications and Approvals

- UL/cUL 207 (up to 1-1/8")
- RoHS Compliant
- CRN-Approved
- CE Approved



## NBV-IN Insulation

EPDM-based, closed cell, light-weight elastomeric thermal insulation for temperatures up to 150°C (302°F).

- Tough skin for easy installation
- Self-extinguished and does not melt when burned
- Indoor and outdoor use
- NBV-IN-S: compatible with 1/4" to 5/8" ball valves with Schrader
- NBV-IN-M: compatible with 3/4" to 7/8" ball valves with Schrader

## NBV Dimensions

MODEL	SIZE	MAX. WORKING PRESSURE		D		L1		L2		L3		WEIGHT	
		PSIG	BAR	MM	IN	MM	IN	MM	IN	MM	IN	LB	G
NBV02	1/4"	900	62	6.40	0.25"	126.00	4.96"	53.00	2.09"	51.30	2.02"	0.463	210
NBV03	3/8"	900	62	9.58	0.38"	126.00	4.96"	53.00	2.09"	51.30	2.02"	0.481	218
NBV04	1/2"	900	62	12.75	0.50"	127.50	5.02"	54.00	2.13"	51.30	2.02"	0.481	218
NBV05	5/8"	900	62	15.93	0.63"	150.00	5.91"	63.30	2.57"	58.40	2.30"	0.728	330
NBV06	3/4"	900	62	19.10	0.75"	164.00	6.46"	74.00	2.91"	66.00	2.60"	1.113	505
NBV07	7/8"	900	62	22.28	0.88"	189.50	7.46"	86.00	3.39"	66.00	2.60"	1.202	545
NBV09	1-1/8"	700	48	28.65	1.13"	209.00	8.23"	97.00	3.82"	83.00	3.27"	1.900	870
NBV11	1-3/8"	700	48	35.00	1.38"	228.60	9.00"	109.00	4.29"	98.50	3.88"	3.100	1,405
NBV13	1-5/8"	700	48	41.35	1.63"	241.30	9.50"	115.00	4.53"	112.50	4.43"	5.104	2,315
NBV17	2-1/8"	700	48	54.05	2.13"	266.70	10.50"	131.00	5.16"	131.60	5.18"	8.741	3,695
NBV21	2-5/8"	650	45	66.75	2.63"	380.00	14.96"	184.00	7.24"	153.00	6.02"	14.310	6,490
NBV25	3-1/8"	650	45	79.45	3.13"	410.00	16.14"	198.00	7.80"	173.40	6.83"	21.034	9,540
NBV33	4-1/8"	450	31	104.85	4.13"	450.00	17.72"	221.00	8.70"	207.80	8.18"	36.732	16,660