



NDL Industries

APPLICATIONS

Commercial, Industrial, and Residential HVAC and Refrigeration

Beaded Core Liquid Line Filter Driers (NMH)

Filter driers shield the refrigeration system by trapping solids, absorbing moisture and acid, and averting ice buildup on the expansion valve's orifice.



NMH Specifications

Advancing Welding Technology

Body design manufactured with advanced welding technology for leak-free joints and superior performance with high-pressure refrigerants.

Tested Powder Coat

Finished with semi-gloss black epoxy-polyester powder coat paint tested to 1,000 hours of salt spray, exceeding ASTM standards.

Effective Blend

Desiccant comprised of molecular sieve and activated alumina in a ratio of 70:30.

Threaded Fittings

Strong and rust-free furnace-brazed threaded fittings.

Wide Range Compatibility

This product is recommended for refrigeration, freezing, air-conditioning systems, and mobile refrigeration due to its versatility and superior performance.

Enhanced Design

Furnace brazed pure copper ends, boasting both longer length and thicker walls when juxtaposed with other brands' offerings.

Pressure Drop Minimization

Uses honey-comb design perforated plate to minimize pressure drops.

High-Grade Sieves

Solid core type with XH-11 grade molecular sieves.



NMH Beaded Core Liquid Line Filter Driers

Selection Recommendations

MODEL	CONNECTIONS INLET/OUTLET	FLOW CAPACITY TAN @ 1PSI ΔP (FOR KW MULTIPLY TON BY 3.5)				WATER CAPACITY DROPS OF WATER									
		R-134A	R-22 & R-410A	R-407C	R-410A & R-507	R-134A		R-22		R-407C		R-410A		R-404A & R-507	
						75 ° F	125 ° F	75 ° F	125 ° F	75 ° F	125 ° F	75 ° F	125 ° F	75 ° F	125 ° F
NMH-032F	1/4" SAE	2	2.2	2.1	1.4	41	39	40	35	34	26	22	20	40	39
NMH-032S	1/4" ODF	2.7	2.9		2										
NMH-033F	3/8" SAE	3	3.3	3.2	2.2										
NMH-033S	3/8" ODF														
NMH-052F	1/4" SAE	2.5	2.4	2.5	1.8	121	110	116	99	100	80	66	61	123	110
NMH-052S	1/4" ODF	3.5	3.6	3.5	2.5										
NMH-053F	3/8" SAE	3.5	3.8		2.5										
NMH-053S	3/8" ODF	4.6	4.8	4.8	3.5	265	245	250	225	205	165	170	130	275	260
NMH-082F	1/4" SAE	2.4	2.6	2.5	1.9										
NMH-082S	1/4" ODF	3	3.5		2.5										
NMH-083F	3/8" SAE	4	4.5		3	384	348	375	320	312	246	212	194	359	348
NMH-083S	3/8" ODF	4.5	4.9		3.5										
NMH-084F	1/2" SAE	6.7	7.5	7	5										
NMH-084S	1/2" ODF	7.1	7.7	7.5											
NMH-163F	3/8" SAE	4	4.2		3	681	628	668	572	562	446	528	364	646	625
NMH-163S	3/8" ODF	4.5	4.8	4.7	3.2										
NMH-164F	1/2" SAE	8.5	9.5	9.2	6.2										
NMH-164S	1/2" ODF			9											
NMH-165F	5/8" SAE	9.7	10.5	10.3	7	2214	2072	2194	1905	1855	1496	1490	1140	2068	2072
NMH-165S	5/8" ODF	10.1	10.9	10.7	7.3										
NMH-303F	3/8" SAE	4.5	4.8	4.6	3.5										
NMH-303S	3/8" ODF	6.4	6.8	6.7	4.8	962	877	934	797	784	623	733	477	897	872
NMH-303 ORN	3/8" O-Ring	4.5	4.8	4.6	3.4										
NMH-304F	1/2" SAE	8.5	9	8.6	6										
NMH-304S	1/2" ODF	10.5	10.9	10.6	7.5	2214	2072	2194	1905	1855	1496	1490	1140	2068	2072
NMH-305F	5/8" SAE	10.8	11.8	11.3	7.9										
NMH-305S	5/8" ODF														
NMH-306F	3/4" SAE	15	16.5	15.7	7.9	962	877	934	797	784	623	733	477	897	872
NMH-306S	3/4" ODF														
NMH-307S	7/8" ODF	16.9	18.5	17.9	12.5										
NMH-309S	1-1/8" ODF	19.9	21.5	20.8	14.5	962	877	934	797	784	623	733	477	897	872
NMH-414F	1/2" SAE	10.5	11.5		7.6										
NMH-414S	1/2" ODF	10.9	11.8		7.9										
NMH-415F	5/8" SAE	12.5	13.5	12.6	8.8	2214	2072	2194	1905	1855	1496	1490	1140	2068	2072
NMH-415S	5/8" ODF	12.2	13.6	23	8										
NMH-417S	7/8" ODF	20.5	22.5	21.8	14.9										
NMH-419S	1-1/8" ODF	27.8	30.5	29.8	20.5	962	877	934	797	784	623	733	477	897	872
NMH-757S	7/8" ODF	23.4	25.7	23.8	17.1										
NMH-759S	1-1/8" ODF	36.8	29.1	34.8	19.4										



NMH Beaded Core Liquid Line Filter Driers

Models Available

MODEL	OUTER DIA. ØA		BODY LENGTH B		STOPPER TO STOPPER ENGT C		OVERALL LENGTH D		CONNECTION TYPE (IN)	DRAWING NO.		
	MM	IN	MM	IN	MM	IN	MM	IN				
NMH-032F	Ø 42	Ø 1.6	67	2.64	-	-	113	4.45	1/4" SAE	Drawing 1		
NMH-032S					97	3.82	117	4.61	1/4" ODF	Drawing 2		
NMH-033F					-	-	121	4.76	3/8" SAE	Drawing 1		
NMH-033S					97	3.82	117	4.61	3/8" ODF	Drawing 2		
NMH-052F	Ø 63.5	Ø 2.5	78	3.07	-	-	124	4.88	1/4" SAE	Drawing 3		
NMH-052S					108	4.25	128	5.04	1/4" ODF	Drawing 4		
NMH-053F					-	-	132	5.20	3/8" SAE	Drawing 3		
NMH-053S					108	4.25	128	5.04	3/8" ODF	Drawing 4		
NMH-082F			99	3.90	-	-	145	5.71	1/4" SAE	Drawing 3		
NMH-082S							129	5.08	149	5.87	1/4" ODF	Drawing 4
NMH-083F							-	-	153	6.02	3/8" SAE	Drawing 3
NMH-083S							129	5.08	149	5.87	3/8" ODF	Drawing 4
NMH-084F					-	-	159	6.26	1/2" SAE	Drawing 3		
NMH-084S					129	5.08	149	5.87	1/2" ODF	Drawing 4		
NMH-163F					122	4.80	-	-	176	6.93	3/8" SAE	Drawing 3
NMH-163S									152	5.98	172	6.77
NMH-164F			-	-			182	7.17	1/2" SAE	Drawing 3		
NMH-164S			152	5.98			172	6.77	1/2" ODF	Drawing 4		
NMH-165F			-	-			190	7.48	5/8" SAE	Drawing 3		
NMH-165S			152	5.98			172	6.77	5/8" ODF	Drawing 4		
NMH-303F	Ø 76.2	Ø 3	190	7.48	-	-	244	9.61	3/8" SAE	Drawing 3		
NMH-303S					220	8.66	240	9.45	3/8" ODF	Drawing 4		
NMH-303 ORN					-	-	244	9.61	3/8" O-Ring	Drawing 5		
NMH-304F					-	-	244	9.61	1/2" SAE	Drawing 3		
NMH-304S					220	8.66	240	9.45	1/2" ODF	Drawing 4		
NMH-305F					-	-	258	10.16	5/8" SAE	Drawing 3		
NMH-305S					220	8.66	240	9.45	5/8" ODF	Drawing 4		
NMH-306F					-	-	264	10.39	3/4" SAE	Drawing 3		
NMH-306S					220	8.66	240	9.45	3/4" ODF	Drawing 4		
NMH-307S					220	8.66	264	10.39	7/8" ODF	Drawing 6		
NMH-309S	220	8.66	274	10.79	1-1/8" ODF	Drawing 6						
NMH-414F	Ø 88.9	Ø 3.5	198	7.79	-	-	258	10.16	1/2" SAE	Drawing 3		
NMH-414S					228	8.98	248	9.76	1/2" ODF	Drawing 4		
NMH-415F					-	-	266	10.47	5/8" SAE	Drawing 3		
NMH-415S					228	8.98	248	9.76	5/8" ODF	Drawing 4		
NMH-417S					228	8.98	272	10.71	7/8" ODF	Drawing 6		
NMH-419S					228	8.98	282	11.10	1-1/8" ODF	Drawing 6		
NMH-757S			319	12.55	350	13.77	381	15	7/8" ODF	Drawing 6		
NMH-759S							350	13.77	381	15	1-1/8" ODF	Drawing 6



NMH Beaded Core Liquid Line Filter Driers

NMH Certifications and Approvals

- CE
- UL Certified

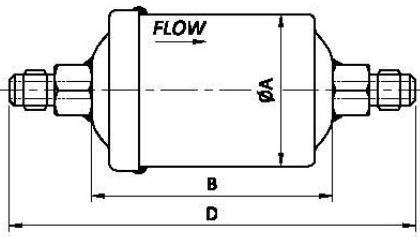
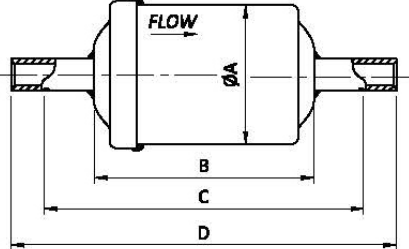
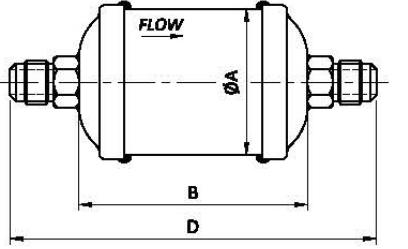
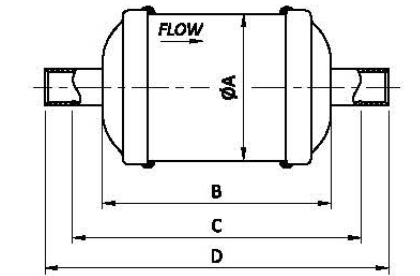
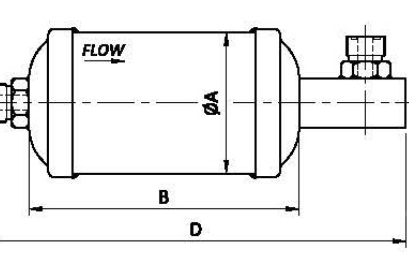
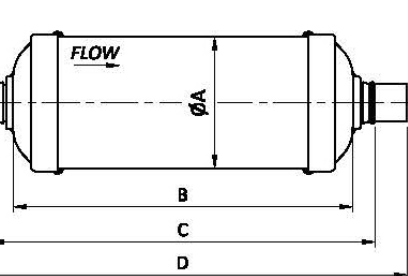




TW Filter Driers with Spectroline AR-GLO®

The complete solution to reduce warranty repair costs and reduce service callbacks.

- The included dye is compatible with all refrigerants, offering comprehensive protection for 6-ton* air conditioning systems
- Installation can be done with the system running, minimizing downtime and disruption
- With the tracer wafer pre-installed, there's no need to handle messy liquid dyes, simplifying the process
- Leaks are easily spotted using a UV flashlight and fluorescence-enhancing safety glasses, streamlining repair efforts

DIMENSIONAL DATA		
		
DRAWING -1	DRAWING -2	DRAWING -3
		
DRAWING -4	DRAWING -5	DRAWING -6